



! WARNING/AVERTISSEMENT

Read this manual before installation and use.

Lisez ce manuel avant l'installation et l'utilisation.

Required Tools

	9/16" Wrench
---	--------------

This manual is for the following part numbers:

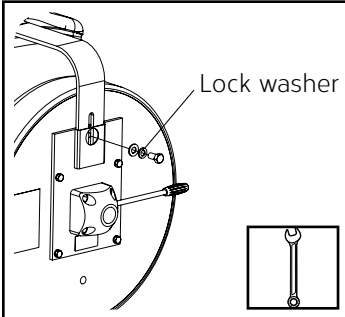
PART NUMBER	DESCRIPTION
320-XX-XXX	Stool, Pneumatic Hand Operated, Black Base w/o Backrest
321-XX-XXX	Stool, Pneumatic Hand Operated, Black Base w/Ergo Backrest

REVISION HISTORY TABLE

DATE	REVISION	CO#/ECO#	DETAILS
12/22/2015	A	CO-0066	Initial release

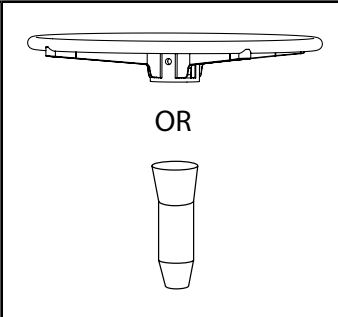
INSTALLATION

Backrest Installation



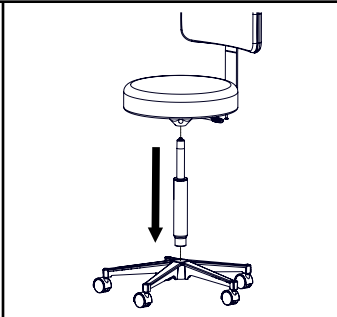
1. Insert the backrest into the bracket on the underside of the seat. Tighten in place with the bolt and two washers.

Accessories



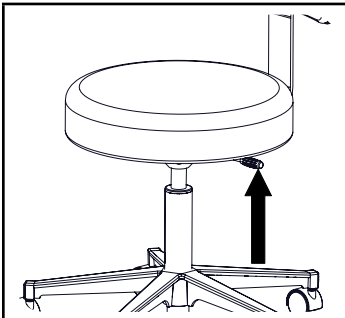
If applicable, see accessory instructions for foot ring and foot extension accessories before completing step 2.

Gas spring Installation

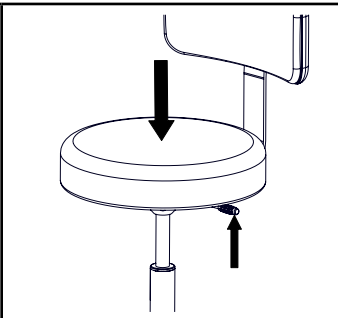


2. Install the larger end of the gas spring into the base of the stool. Place the seat of the stool on top of the gas spring. Sit on the stool to secure the pieces.

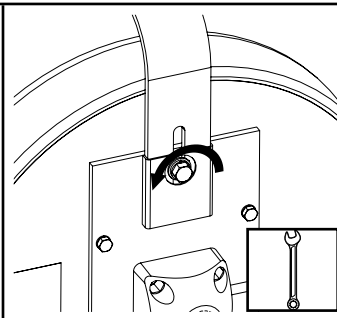
OPERATION



1. To raise the height of the stool, lift up on the lever below the seat with no weight on the seat.



2. To lower the height of the stool, lift up on the lever below the seat while placing weight on the seat.



3. To adjust the position of the back, loosen the bolt under the seat, slide the back in or out, and tighten the bolt.

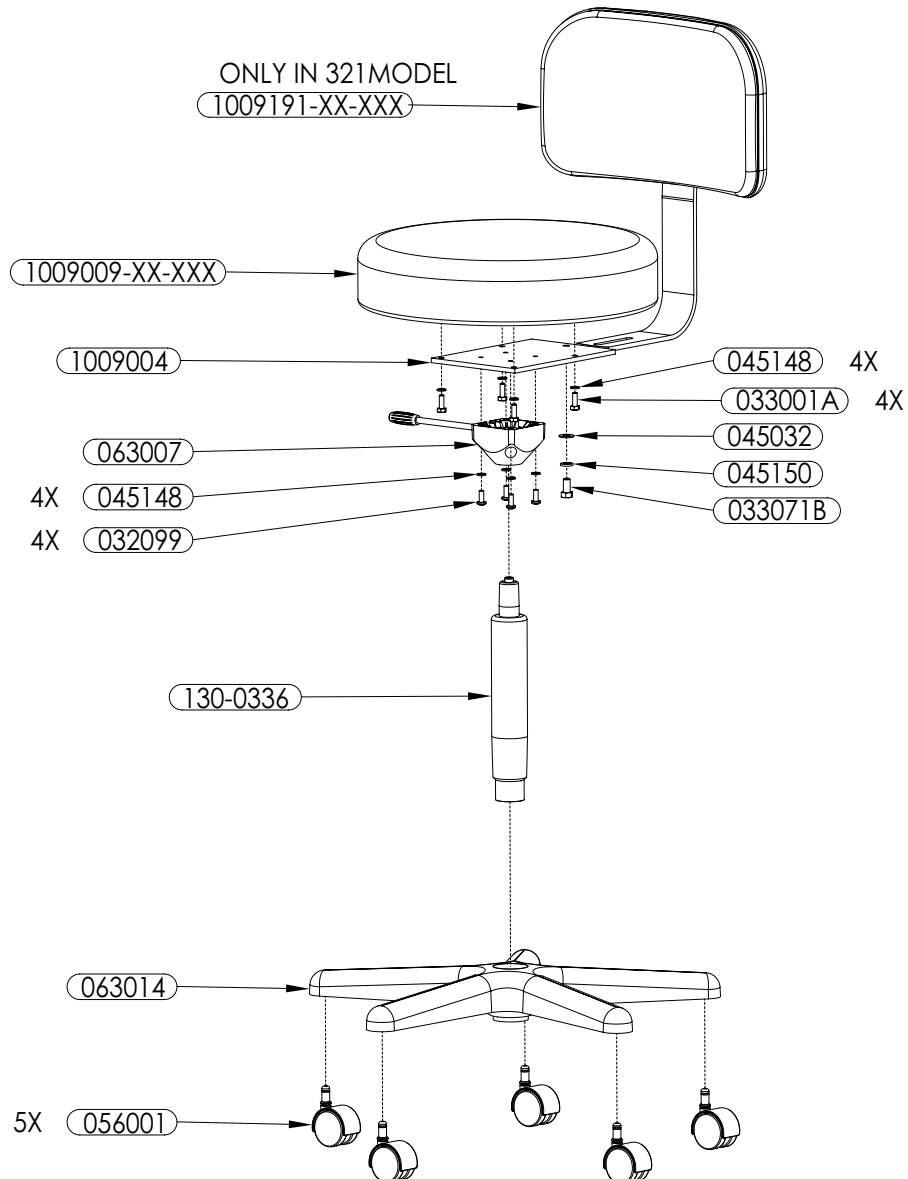
SPECIFICATIONS

DESCRIPTION	SPECIFICATION
Load Capacity	300 lbs (136.1 kg)
Height of Stool	18.25" to 24.5" (463.6 mm to 622.3 mm)
Weight of Stool	320: 15 lbs (6.8 kg) • 321: 20 lbs (9.1 kg)
Shipping Weight of Stool	320: 18 lbs (8.2 kg) • 321: 23 lbs (10.4 kg)
Shipping Size of Stool	320: 23" x 23" x 11" (585 mm x 585 mm x 280 mm) 321: 23" x 23" x 13" (585 mm x 585 mm x 331 mm)

EXPLODED VIEWS

320/321 STOOLS

PART NUMBER	QTY	DESCRIPTION
032099	4	PHP SCREW, 1/4-20 x 5/8 ZINC
033001A	4	HEX HEAD BOLT, 1/4-20 x 3/4 ZINC
033071B	1	HEX HEAD BOLT, 3/8-16 x 3/4 ZINC
045032	1	SAE WASHER, 3/8 ZINC
045148	8	LOCK WASHER, 1/4, ZINC
045150	1	LOCK WASHER, 3/8, ZINC
056001	5	CASTER, 2" HARD PLASTIC DUAL WHEEL BLACK
063007	1	RELEASE MECHANISM KIT, HAND OPERATED
063014	1	BASE, 5 CASTER BLACK PLASTIC 50mm
1009004	1	MTG PLATE WLD, STOOL SEAT, SG/EG
1009009-XX-XXX	1	ROUND SEAT ASSY, 16.5" DIA
1009191-XX-XXX	1	ERGO BACK ASSY
130-0336	1	GAS SPRING, HAND OPERATED STOOL CYLINDER, 6.38"



THE XX OF DRAWING/PART NUMBER REFERS TO CONSTRUCTION CODE.
 THE XXX OF DRAWING/PART NUMBER REFERS TO COLOR CODE.
 CONTACT MTI FOR SPECIFIC COLOR AND CONSTRUCTION CODES.

⚠ WARNING/AVERTISSEMENT

No modification of this equipment is allowed.

Aucune modification de cet équipement est autorisé.

⚠ WARNING/AVERTISSEMENT

Assure equipment, patient, and other objects are in safe condition before operating the equipment.

Assurer l'appareil, patient, et d'autre objets sont dans un état sûr avant d'utiliser l'appareil.

⚠ WARNING/AVERTISSEMENT

This product contains chemicals known to the State of California to cause cancer and/or birth defects or other reproductive harm. See <http://www.mti.net/FAQs.aspx> for details on California Proposition 65.

Ce produit contient des produits chimiques reconnus par l'État de Californie pour causer le cancer et / ou des anomalies congénitales ou d'autres problèmes de reproduction. Voir <http://www.mti.net/FAQs.aspx> pour plus de détails sur la California Proposition 65.

Cleaning and Disinfection

See "MTI Cleaning Solution Recommendation Letter" for more details on disinfecting solutions which have been tested on MTI's products. It is available for download at <http://www.mti.net/downloads.aspx> in the Product Support Bulletins folder, found under the Resources tab on our website. In the U.S. & Canada, call (888) 520-4998, or International, call (801) 875-4998 to request a copy.

Painted and Plastic Surfaces

All painted metal parts have been electrostatically painted and the paint is baked on for durability. Weekly, those surfaces should be wiped down with a quality grade cleaner and a soft cloth or a damp cloth with mild soap.

Upholstery

Upholstery should be cleaned weekly with a mild liquid soap and water mixture. Afterwards, wipe upholstery with a clean damp cloth.

Calls for Service

(888) 520-4998 | International (801) 875-4998
customer.service@mti.net | www.mti.net

LIMITED WARRANTY

Medical Technology Industries, Inc. (hereinafter referred to as MTI), shall repair or replace products of its manufacture, which prove to be defective in material and/or workmanship for a period of twelve (12) months from the date of shipment to the customer (the "Warranty Period"). MTI will, at its option, provide parts to the customer or repair the defective part at MTI's factory or authorized repair facility. Except as it may otherwise specifically agree in writing, MTI shall not be liable for transportation or labor charges for repairs or adjustments or other work done on any of its products by MTI's authorized dealers or service organizations.

Customer shall notify MTI of any alleged claim or defect within fourteen (14) days from the date customer discovers, or upon reasonable inspection should have discovered, such alleged claim or defect (but in any event before the expiration of the Warranty Period). All repair parts are warranted for Ninety (90) calendar days from the date of shipment to the customer. Warranty is non-cumulative.

This warranty does not apply to any part or product which upon examination by MTI or its authorized agents indicates the product has been repaired or altered in any way by persons other than MTI or its authorized agents, has been misused, abused or used in a manner contrary to any instructions issued by MTI. Any parts or products claimed under this warranty must be properly packaged by customer and returned to MTI's factory with no liability to MTI for the parts, products or transportation charges thereon.

In no event, shall MTI have any liability for consequential, indirect, incidental, special, exemplary, punitive or enhanced damages, lost profits or diminution in value arising out of or relating to a product defect or the repair or replacement of any products manufactured or sold by it.

THE FOREGOING LIMITED WARRANTY IS MADE IN LIEU OF ALL WARRANTIES EXPRESSED OR IMPLIED, AND MTI MAKES NO OTHER WARRANTY WHATSOEVER WITH RESPECT TO THE PRODUCTS INCLUDING BUT NOT LIMITED TO, ANY IMPLIED WARRANTY OR MERCHANTABILITY OR FITNESS FOR A PARTICULAR PURPOSE.

3655 W Ninigret Drive, Salt Lake City, Utah, 84104-6572
(800) 924-4655 • (801) 875-4999 • Fax (801) 952-0548

www.mti.net



Strength in patient care.™

© MTI, Inc. All rights reserved.
MTI reserves the right to make any product changes without notice.

073167 Rev A