

User Manual

400 & 401 Chairs



400 CHAIR



401 CHAIR



Strength in patient care.™

U.S. & Canada (888) 520-4998
International (801) 875-4998
www.mti.net

APPLICABLE MODEL(S).....	IV
REVISION HISTORY TABLE.....	IV
GENERAL INFORMATION.....	1
Purpose of this Manual.....	1
Intended Use.....	1
Symbols and Warnings.....	2
Symboles et Avertissements.....	2
Safety Instructions.....	3
Electromagnetic Interference.....	4
Electrical Requirements (401 Only).....	4
Contraindications.....	5
Transportation and Storage Conditions.....	5
Disposal of Equipment.....	5
EQUIPMENT FEATURES.....	6
INSTALLATION.....	7
Required Tools.....	7
Optional Tools.....	7
Explanation of Instructions.....	7
Unpacking and Set-up.....	8
OPERATION.....	9
Operating Conditions.....	9
Controls.....	9
Headrest Operation.....	9
Manual Backrest Operation.....	10
Flip-up Armrest Operation.....	10
Electric Base Operation (401).....	10
Manual Base Operation (400).....	10
LIST OF ACCESSORIES.....	11
MAINTENANCE.....	12
Cleaning and Disinfection.....	13
Preventative Maintenance.....	13
Calls for Service.....	14
LIMITED WARRANTY.....	14
TROUBLESHOOTING GUIDE.....	15
SPECIFICATIONS.....	15

APPLICABLE MODEL(S)

This manual is for the following part numbers and serial numbers:

PART NUMBER	DESCRIPTION	EFFECTIVE S/N
4000000	400 Exam Chair	020108003-Current
4000025	401 Exam Chair, 115V	010829010-Current

REVISION HISTORY TABLE

DATE	REVISION	CO#/ECO#	DETAILS
11/13/2001	111301		Initial Release
	ORG		Corrected website, simplified instructions, etc.
3/17/2017	A	CO-0061	Update Manual to new manual format
12/6/2019	B	CO-0187	Revised Proposition 65 warning, fixed minor typos

User Manual

MTI 401 & 400 Chairs

GENERAL INFORMATION

Purpose of this Manual

This manual covers the safety, installation, instructions for use, and maintenance of this equipment. It is intended that it be used by the service professional installing the equipment and by the medical professionals who have been trained to use it. No repair information is included with this manual, because no operator repairs are intended.

Intended Use

This equipment is intended to be used as a chair for general examinations and procedures performed by medical professionals.

PRODUCT INFORMATION

Date of Purchase: _____

Model Number: _____

Serial Number: _____

(see "EQUIPMENT FEATURES" on page 6 for location of serial number label)

Symbols and Warnings

This manual contains Notices, Cautions, and Warnings, which are meant to call attention to particular parts or sections of this manual. Since safety is our first concern, this manual should be read by all personnel who will be operating this medical equipment. Failure to comply with the following warnings and cautions will void the warranty.

Symboles et Avertissements

Ce manuel contient des avis, des précautions et des avertissements qui sont destinés à attirer l'attention sur des pièces ou des sections de ce manuel particulier. Parce que la sécurité est notre première préoccupation, ce manuel doit être lu par tout le personnel qui sera d'utiliser cet équipement médical. Défaut de se conformer avec les avertissements et les précautions de ce guide d'instruction annulera la garantie.

WARNINGS/AVERTISSEMENTS

Are used to call attention to a condition, practice, or procedure which could cause personal injury if not followed correctly. Please become familiar with all warnings and observe them at all times.

Sont utilisés pour attirer l'attention sur une condition, pratique ou procédure qui pourrait causer des blessures s'il n'est pas suivi correctement. S'il vous plaît se familiariser avec tous les avertissements et les observer à tout moment.

CAUTIONS/PRECAUTIONS















Are used to call attention to a condition, practice, or procedure which could cause product damage if not used correctly.






Sont utilisés pour attirer l'attention sur une condition, pratique ou procédure qui pourrait causer des dommages au produit s'il n'est pas utilisé correctement.

NOTICES/AVIS

Are used to call attention to helpful information regarding a condition, practice, or procedure.

Sont utilisés pour attirer l'attention sur des informations utiles concernant une condition, pratique ou de procédure.

	Class 1, Type B, Medical Equipment
	Proper shipping orientation for the product Orientation d'embarquement correct pour le produit
	Product is fragile; be careful in handling Le produit est fragile. Soyez prudent lors de la manipulation
	Protective earth ground Terre électrique de protection
	Alternating current Le courant alternatif
	Unit duty cycle of 10% Example: (1) minute on (9) minutes off. Unité rapport cyclique du 10%
	Product must be kept dry Le produit doit rester sèche
	Upper and lower limits of temperature Limites haute et basse de la température
	Maximum stacking height of palletized units. Hauteur maximale de la pile d'unités sur palettes.
	Indicates the presence of a dangerous voltage/shock hazard Indique le présence de voltage dangereux/ de choc
	Follow instructions for use Suivez les instructions pour l'utilisation
	Consult operating instructions Consultez les instructions d'utilisation
	Manufacturer of product Fabricant de produits
	Date on which the product was manufactured Date de fabrication

	Identifies the manufacturer's serial number Identifie le numéro de série du fabricant
	Upper and lower limits of relative humidity Limites haute et basse de humidité relative.
	Upper and lower limits of atmospheric pressure Limites haute et basse de la pression atmosphérique
	(WEEE) Waste of Electrical and Electronic Equipment Déchets d'équipements électriques et électroniques
	European Conformity mark Marque Conformité Européenne

Safety Instructions

WARNING/AVERTISSEMENT

Read this manual before installation and use.

Lisez ce manuel avant l'installation et l'utilisation.

WARNING/AVERTISSEMENT

No modification of this equipment is allowed.

Aucune modification de cet équipement est autorisée.

WARNING/AVERTISSEMENT

Do not operate equipment in the presence of flammable anesthetics.

Ne pas faire fonctionner l'équipement en présence d'anesthésiques inflammables.

WARNING/AVERTISSEMENT

Verify equipment, patient, and other objects are in a safe condition before operating the equipment.

Vérifiez l'équipement, patient, et d'autres objets sont dans un état sûr avant d'utiliser l'équipement.

WARNING/AVERTISSEMENT

Verify controls, cords, and other parts of the equipment do not create a tripping or other safety hazard for operator or patient.

Vérifiez les contrôles, les cordons et les autres parties de l'équipement ne créent pas un risque de trébuchement ou d'autres risques d'accident pour l'opérateur ou le patient.

WARNING/AVERTISSEMENT

Backrest, seat, footrest, armrest, headrest, and other parts of the equipment should only be used for their intended purpose. MTI is not responsible for use of components outside of their intended use.

Le repose-dos, reste de siège, repose pieds, accoudoirs, appuie-tête et d'autres parties de l'équipement ne doivent être utilisés conformément à leur utilisation prévue. MTI n'est pas responsable de l'utilisation des composants au dehors de leur utilisation prévue.

WARNING/AVERTISSEMENT

This product can expose you to chemicals including nickel, which is known to the State of California to cause cancer. For more information go to www.P65Warnings.ca.gov and see www.mti.net/faqs for

details on California Proposition 65.

Ce produit peut vous exposer à des agents chimiques, y compris le nickel, identifiés par l'État de Californie comme pouvant causer le cancer. Pour de plus d'informations, prière de consulter www.P65Warnings.ca.gov et voir www.mti.net/faqs pour les détails sur le Proposition de Californie 65.

Electromagnetic Interference

This equipment is designed and built to minimize electromagnetic interference with other devices. However, if interference is noticed between another device and this equipment, do one or more of the following:

1. Plug the equipment into an isolated circuit.
2. Remove the interfering device from the room.
3. Increase the separation between the equipment and the interfering device.
4. Contact MTI if the electromagnetic interference persists.

Electrical Requirements (401 Only)

WARNING/AVERTISSEMENT

To avoid risk of electrical shock, this equipment must be connected to a supply mains with protective earth.

Pour éviter tout risque de choc électrique, cet équipement doit être branché sur une prise électrique avec la terre électrique de protection.

WARNING/AVERTISSEMENT

Grounding reliability can only be achieved when the equipment is connected to an equivalent receptacle marked "Hospital Only" or "Hospital Grade".

Mise à la terre fiabilité ne peut être atteinte lorsque l'équipement est connecté à un réceptacle équivalent marqué "Hôpital Uniquement" ou "de Qualité Hôpital".

WARNING/AVERTISSEMENT

When using endocardial catheters or high frequency surgical/procedure devices, use non-conductive material to insulate the patient from metal portions of the equipment. Failure to comply may result in electric shock or burns to patient.

Lors de l'utilisation de cathéters endocavitaires ou dispositifs chirurgicale / procédure haute fréquence,

utiliser un matériau non conducteur pour isoler le patient des parties métalliques de l'équipement. Le non-respect peut entraîner un choc électrique ou de brûlures pour le patient.

WARNING/AVERTISSEMENT

Connecting electrical equipment to a multiple socket-outlet effectively leads to creating a medical electronic system and can result in a reduced level of safety.

Connexion d'un équipement électrique à une prise de courant multiple crée un système électronique médicale, et peut entraîner une baisse du niveau de sécurité.

WARNING/AVERTISSEMENT

Equipment must be positioned in normal use such that the power cords can be easily accessed to unplug.

L'équipement doit être positionné en utilisation normale telle que les cordons d'alimentation peuvent être facilement accessibles à débrancher.

WARNING/AVERTISSEMENT

Equipment must be connected to an appropriate power source when loss of power source would result in an unacceptable risk.

L'équipement doit être relié à une source d'alimentation appropriée en cas de perte de la source d'alimentation entraînerait un risque inacceptable.

WARNING/AVERTISSEMENT

Do not use a two-three plug adapter to plug the equipment into a two conductor outlet, as grounding reliability is not maintained.

Ne pas utiliser un adaptateur non de prise de terre pour brancher l'équipement sur une prise à deux conducteurs, la fiabilité de la terre n'est pas maintenue.

WARNING/AVERTISSEMENT

Do not plug this equipment into a low power or auxiliary outlet. This equipment must be connected to a 115 Volt (V) outlet. If this equipment is connected to an insufficient power source, it will cause irreparable damage to this device's electronics.

Ne branchez pas cet équipement sur une prise de faible puissance ou une prise auxiliaire. Cet équipement

doit être branché sur une prise de 115 Volt (V). Si cet équipement est connecté à une source d'alimentation insuffisante, il causera des dommages irréparables à l'électronique de cet appareil.

CAUTION/PRÉCAUTION

An appropriately rated surge protector must be used to protect the printed circuit board. Warranty is void if this surge protector is not used.

Un protecteur de surtension correctement classé doit être utilisé pour protéger la carte de circuit imprimé. La garantie est nulle si, ce protecteur de surtension n'est pas utilisé.

NOTICE/AVIS




Removing the power supply cord at the wall receptacle will simultaneously isolate both poles of the power supply.

Retrait du cordon d'alimentation à la prise murale se isoler simultanément les deux pôles de l'alimentation.

Contraindications

None.

Transportation and Storage Conditions

	Ambient Temperature	+10°C to +40°C (+50°F to +104°F)
	Relative Humidity	30% to 75% (non-condensing)
	Atmospheric Pressure	700hPa to 1060hPa (0.69atm to 1.05atm)

Disposal of Equipment

At the end of product life, the equipment, accessories, and other consumable goods may have become contaminated due to normal medical use. Consult local codes and ordinances for proper disposal of equipment, accessories and other consumable goods.

EQUIPMENT FEATURES

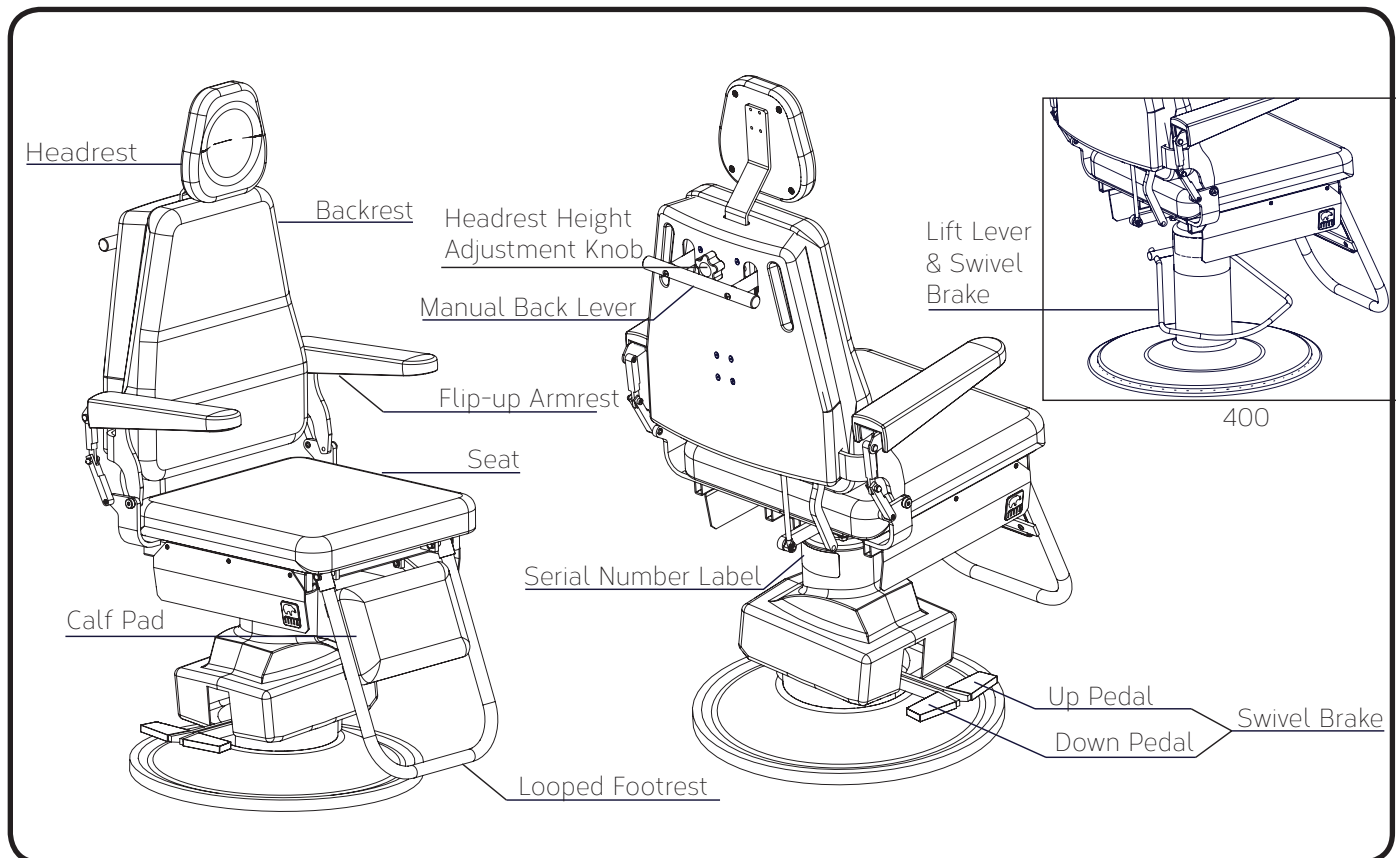
Description of 400 Exam Chair

The 400 Exam Chair includes an 8" manual hydraulic lift and gas spring assisted manual back. The 400 chair is 19.5" (49.5 cm) wide. The chair is used for positioning a patient for exams. The 400 Exam chair also has the ability to swivel.

Description of 401 Exam Chair

The 401 Exam Chair includes an 8" electric power lift and gas spring assisted manual back. The 401 Exam Chair is 19.5" (49.5 cm) wide. The chair is used for positioning a patient for exams. The 401 Exam chair also has the ability to swivel.

400/401 EXAM CHAIR



INSTALLATION

WARNING/AVERTISSEMENT

This equipment is heavy. Get help to remove it from the shipping pallet. Use proper lifting procedures when lifting to avoid serious back injury.

Cet équipement est lourd. Obtenir de l'aide pour le retirer de la palette d'expédition. Utilisez les procédures propre de levage pour le soulever pour éviter grave blessure au dos.

CAUTION/PRÉCAUTION

To move equipment, lift only from the equipment's main structure.

Pour déplacer l'équipement, soulevez seulement de la structure principale de l'équipement.

NOTICE/AVIS

If this product has been exposed to low temperatures, allow adequate time for it to warm to room temperature before putting it into service.





Si ce produit a été exposé à de basses températures, laisser suffisamment de temps pour lui permettre de se réchauffer à température ambiante avant de le mettre en service.

NOTICE/AVIS


Inspect the shipping boxes for visible damage. Record on bill of lading, photograph, and report any damage to the carrier immediately. Request an inspection by the carrier if any concealed damage is noted.

Inspectez les boîtes d'expédition pour les dommages visibles. Fiche sur le connaissance, prendre une photo, et signalez les dommages dûs au transporteur immédiatement. Demander une inspection par le transporteur en cas de dommage caché est noté.

Required Tools

	7/16" Wrench		Wire cutters		Utility Knife		Phillips Screwdriver (#2)
-------------------------------------------------------------------------------------	--------------	-------------------------------------------------------------------------------------	--------------	-------------------------------------------------------------------------------------	---------------	---------------------------------------------------------------------------------------	------------------------------

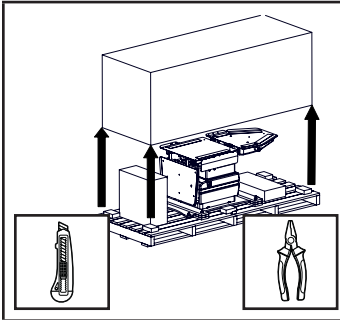
Optional Tools

	Impact driver w/1/2" cement drill bit
-------------------------------------------------------------------------------------	---------------------------------------------

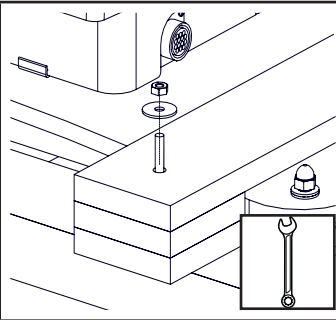
Explanation of Instructions

Instructions have steps which are designated by a number. Each step may also have sub-steps designated by a letter. For example, an instruction to operate a feature may have 4 steps (1-4) and each of those steps may have sub-steps (A-B) to be performed before moving on to the next step.

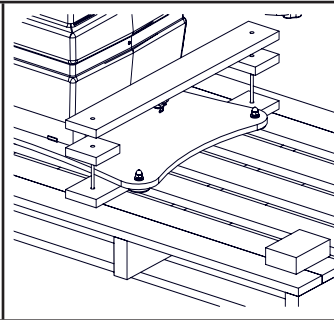
Unpacking and Set-up



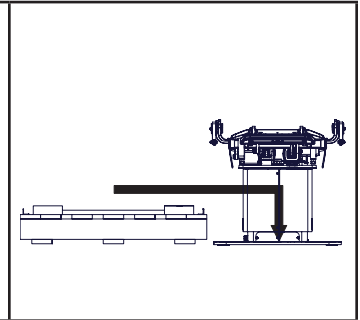
1. Remove shipping straps, shipping box, and other boxes from the pallet.



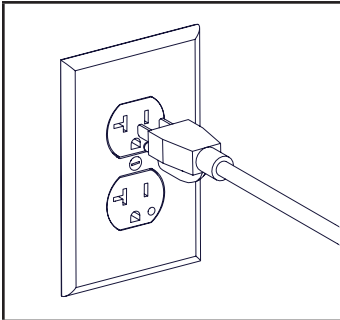
2. Remove (4) shipping bolts with 7/16" end wrench.



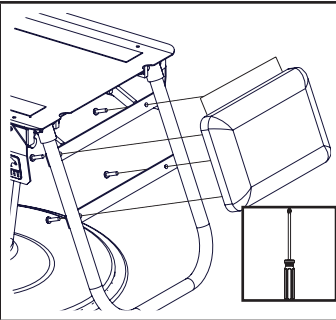
3. Remove braces from the top of the baseplate.



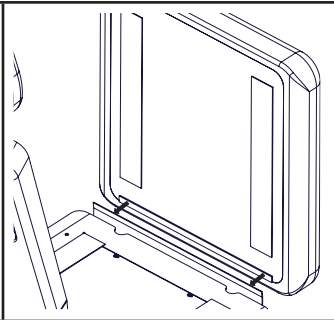
4. Slide chair off pallet. To move equipment, lift only from the equipment's main structure. Recycle or re-use pallet.



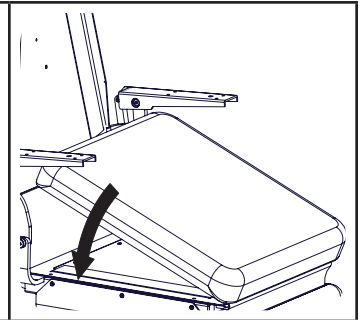
5. Plug the power cord into an appropriately marked receptacle (401 only).



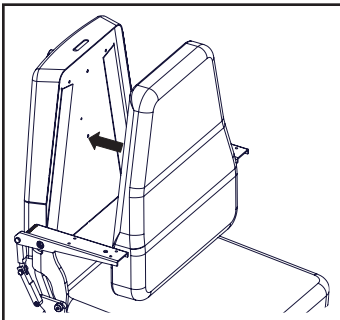
6. Attach the upholstery flap to the back of the calf pad. Align the calf pad with the foot loop and attach with the 4 screws from behind.



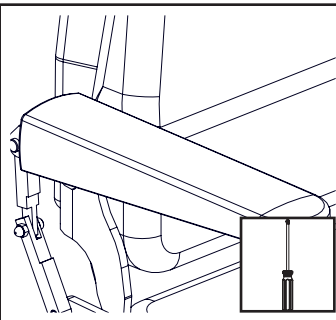
7. Attach the flap to the end of the seat cushion.



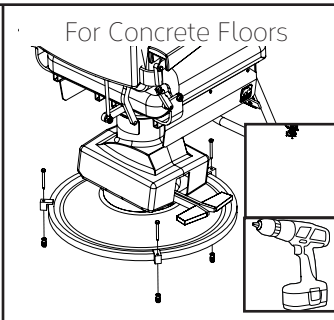
8. Align the seat cushion with the seat section of the chair and press into place. Verify the cushion is centered.



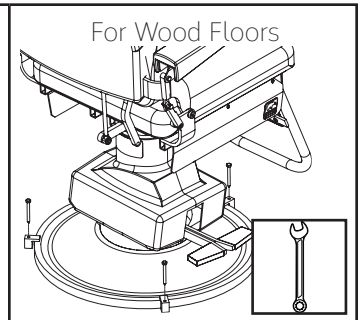
9. Align the back cushion with the back section of the chair and press into place. Verify the cushion is centered.



10. Attach the flip-up arm upholstery following the instructions provided in the upholstery kit.






11. If teardrop baseplate is not purchased, install the floor clips at 3 points around the base plate. For wood floors use only the lag bolts. For concrete floors use the lag bolts and lag shield. To install lag shield drill 1/2" diameter hole deep enough to insert the lag shield. Tighten lag bolts with 7/16" wrench.

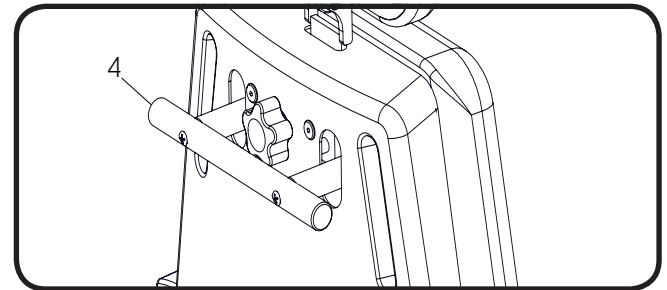
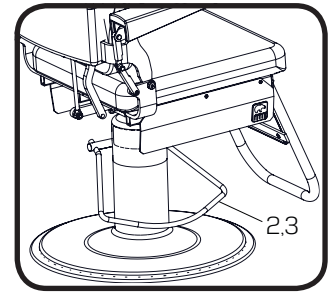
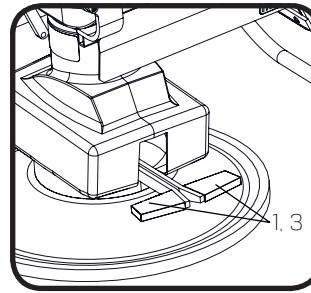


For chairs purchased with teardrop stabilizer plate, see teardrop stabilizer plate instructions.

OPERATION

Operating Conditions

	Ambient Temperature	+10°C to +40°C (+50°F to +104°F)
	Relative Humidity	30% to 75% (non-condensing)
	Atmospheric Pressure	700hPa to 1060hPa (0.69atm to 1.05atm)



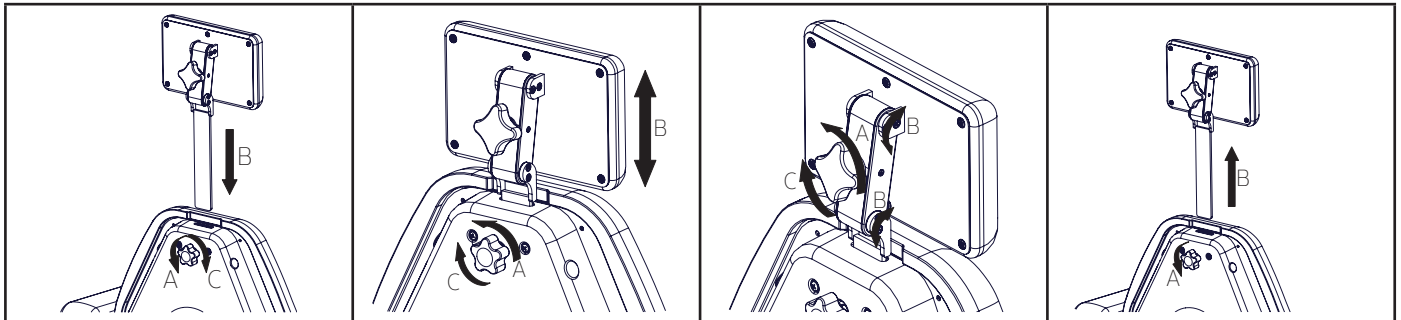
Controls

Lift/Swivel Controls/Back Lever

ITEM	DESCRIPTION	FUNCTION
1	Up/Down Pedals	Raises or lowers the chair top by pressing the desired direction
2	Up/Down Lever	Raises or lowers the chair top
3	Swivel	Locks and unlocks the chair's swivel
4	Back Up/Down Lever	Move the lever up or down and position the back manually as desired

Headrest Operation

Articulating and Non-Articulating Headrests



1. To install the headrest:
 A. To loosen, turn the knob on the back of the chair counterclockwise.
 B. Insert the headrest through the slot in the top of the backrest.
 C. To secure, turn the knob clockwise.

2. To adjust the height of the headrest:
 A. To loosen, turn the knob on the back of the chair counterclockwise.
 B. Adjust the height of the headrest.
 C. To secure, turn the knob clockwise.

3. To adjust the angle of the headrest (Articulating only):
 A. To loosen, turn the knob on the back of the headrest counterclockwise.
 B. Adjust the position and angle of the headrest.
 C. To secure, turn the knob clockwise.

4. To remove a headrest:
 A. To loosen, turn the knob on the back of the chair counterclockwise.
 B. Pull the headrest completely out of the back.

Manual Backrest Operation

To position the backrest, pull up or down on the lever on the back of the chair, position the backrest to the desired location, then release the lever (Figure 1).

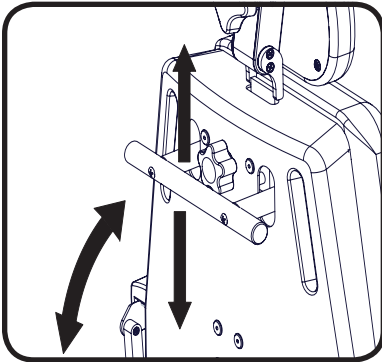


Figure 1

Flip-up Armrest Operation

To raise the armrest, press the joint of the arm backwards while lifting the front of the arm (Figure 2).

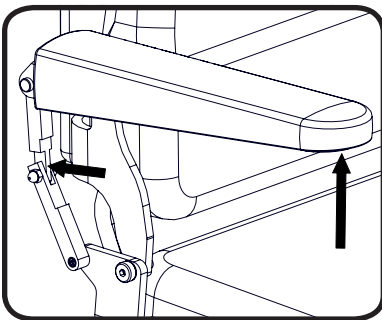


Figure 2

To lower the armrest, swing the arm down. The joint will lock in place when fully lowered.

Electric Base Operation (401)

To raise the chair: press down on the pedal marked with a "U" (Figure 3).

To lower the chair, press down on the pedal, marked with a "D" (Figure 3).

To lock the swivel of the chair, lift up on both pedals.
To unlock the swivel press down on either pedal.

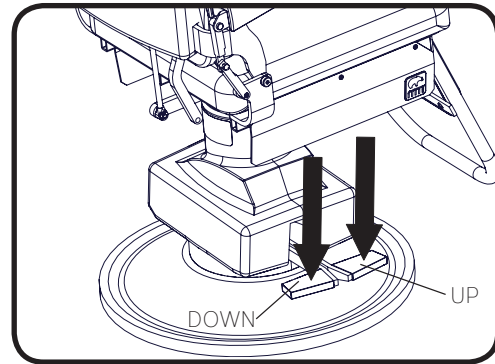


Figure 3

Manual Base Operation (400)

To raise the chair, pump the lever at the base of the chair down, repeating as necessary to move the chair higher.

To lower the chair, push down on the lever all the way and hold in place until the chair reaches the desired height.

To lock the swivel of the chair, lift up on the lever slightly.

To unlock the swivel of the chair, push the lever down slightly (Figure 4).

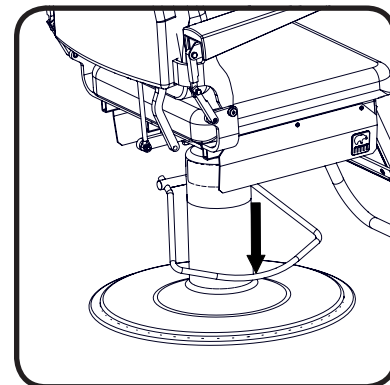


Figure 4

LIST OF ACCESSORIES

DESCRIPTION	USE	RESTRICTIONS
Headrest, Articulating Oval, Deep Oval, Rectangular, Prosthetic, Round	Provides a dual articulating surface with various pillow shapes/sizes to support patient's head.	
Headrest, Non-Articulating Oval, Rectangular	Provides a surface with oval or rectangular pillow shapes which do not articulate.	
Light, LED Exam	Provides lighting during patient procedures.	Not available with paper roll holder.
Teardrop Stabilizer Plate	Provides a larger base with more weight towards the front of the chair.	
Paper Roll Holder (18")	Used for mounting a paper roll to the back of the chair.	18" (45.7cm) Not compatible with back mounted exam light.

MAINTENANCE

WARNING/AVERTISSEMENT

There are no user serviceable parts inside. Refer all servicing to a qualified service technician.

Aucune pièce interne ne peut être réparée par l'utilisateur. Adressez-vous à un technicien qualifié.

WARNING/AVERTISSEMENT

The Control of Hazardous Energy (lockout/tagout) §1910.147 procedure must be followed to disable equipment, preventing the release of hazardous energy while performing servicing and maintenance activities.

La procédure de La Maîtrise des Énergies Dangereuses (lockout/ déconsignation) § 1910.147 doit être suivie pour désactiver l'équipement, empêchant la libération des énergies dangereuses lors de l'exécution des activités de maintenance et d'entretien.

CAUTION/PRÉCAUTION

This equipment may be damaged by solvents and dyes. Immediately remove any fluids spilled on the equipment.

Cet équipement peut être endommagé par des solvants et des colorants. Retirer immédiatement tout liquide renversé sur l'équipement.

CAUTION/PRÉCAUTION

Avoid contact with sharp or pointed objects. Do not place hard surface objects on the upholstery surfaces as temporary indentations or impressions in the upholstery cover will result. Prolonged contact with a hard or irregular shaped object may make the impression semi-permanent.

Éviter le contact avec des objets pointus ou tranchants. Ne placez pas d'objets de surfaces dures sur les surfaces de capitonnage d'ameublement, comme des empreintes temporaires ou des impressions dans le couvercle du capitonnage en résulteront. Un contact prolongé avec un objet en forme de disque ou irrégulière peut faire l'impression semi-permanente.

CAUTION/PRÉCAUTION

Any sprayed disinfectant or cleaning solution should be wiped up immediately after application and not let to stand. A small sample area should be tested before any large application of any cleaner/disinfectant.

Tout désinfectant pulvérisé ou solution de nettoyage doivent être essuyés immédiatement après l'application et ne pas laisser reposer. Une petite zone de l'échantillon doit être testé avant toute application complète d'un nettoyeur/désinfectant.

CAUTION/PRÉCAUTION

Avoid prolonged direct sunlight exposure to preclude color change of the plastic.

Évitez l'exposition directe au soleil prolongée pour empêcher le changement de couleur des éléments en plastique.

NOTICE/AVIS

MTI recommends cleaning the equipment frequently.

MTI recommande de nettoyer l'équipement fréquemment.

Cleaning and Disinfection

Upholstery

Upholstery should be cleaned weekly with a mild liquid soap and water mixture. Afterwards, wipe upholstery with a clean damp cloth.

MTI's standard policy on disinfecting MTI medical equipment is to use a 10% sodium hypochlorite (bleach) and 90% water solution. If stronger or other disinfecting and cleaning solutions are used, the surface is at risk to be damaged or possibly cause discoloring, cracking, or other types of damage to the surface. See current CDC Guideline for Disinfection and Sterilization in Healthcare Facilities.

MTI understands that many customers prefer to use a pre-mixed disinfecting solution in a spray or wipe. It is MTI's recommendation not to use sprays because over time the overspray will cause damage to the surfaces if not immediately wiped up. MTI recommends hand towels or wipes to avoid the possibility of overspray. Once the approved contact time has been obtained, remove and dry excess liquid remaining on the surface.

See "MTI Cleaning Solution Recommendation Letter" for more details on disinfecting solutions which have been tested on MTI's products. It is available for download at <http://www.mti.net/downloads.aspx> in the Product Support Bulletins folder, found under the Resources tab on our website. In the U.S. & Canada, call (888) 520-4998, or International, call (801) 875-4998 to request a copy.

Painted and Plastic Surfaces

All painted metal parts have been electrostatically painted and the paint is baked on for durability. These surfaces should be wiped down with a quality grade cleaner and a soft cloth or a damp cloth with mild soap once a week.

Preventative Maintenance

Periodically inspect the following areas:

1. All fasteners and pins should be in place and tightened securely.
2. Lubricate pins and moving joints as needed with lithium grease.
3. Power cord should be free of cuts or other visible damage.
4. All mechanical functions should operate properly.

Have an authorized service technician inspect your equipment once a year.

Calls for Service

Equipment's model and serial number information are required when calling for service.

Serial number is indicated by the **SN** symbol located on the serial number tag.

If service is required, contact MTI

U.S. & Canada 888-520-4998

International 801-875-4998

Fax (801) 952-0548

customer.service@mti.net

Monday-Friday 8:00 am - 5:00 pm (MST)

www.mti.net

LIMITED WARRANTY

Medical Technology Industries, Inc. (hereinafter referred to as MTI), shall repair or replace products of its manufacture, which prove to be defective in material and/or workmanship for a period of twelve (12) months from the date of shipment to the customer (the "Warranty Period"). MTI will, at its option, provide parts to the customer or repair the defective part at MTI's factory or authorized repair facility. Except as it may otherwise specifically agree in writing, MTI shall not be liable for transportation or labor charges for repairs or adjustments or other work done on any of its products by MTI's authorized dealers or service organizations.

Customer shall notify MTI of any alleged claim or defect within fourteen (14) days from the date customer discovers, or upon reasonable inspection should have discovered, such alleged claim or defect (but in any event before the expiration of the Warranty Period). All repair parts are warranted for Ninety (90) calendar days from the date of shipment to the customer. Warranty is non-cumulative.

This warranty does not apply to any part or product which upon examination by MTI or its authorized agents indicates the product has been repaired or altered in any way by persons other than MTI or its authorized agents, has been misused, abused or used in a manner contrary to any instructions issued by MTI. Any parts or products claimed under this warranty must be properly packaged by customer and returned to MTI's factory with no liability to MTI for the parts, products or transportation charges thereon.

In no event, shall MTI have any liability for consequential, indirect, incidental, special, exemplary, punitive or enhanced damages, lost profits or diminution in value arising out of or relating to a product defect or the repair or replacement of any products manufactured or sold by it.

THE FOREGOING LIMITED WARRANTY IS MADE IN LIEU OF ALL WARRANTIES EXPRESSED OR IMPLIED, AND MTI MAKES NO OTHER WARRANTY WHATSOEVER WITH RESPECT TO THE PRODUCTS INCLUDING BUT NOT LIMITED TO, ANY IMPLIED WARRANTY OR MERCHANTABILITY OR FITNESS FOR A PARTICULAR PURPOSE.

TROUBLESHOOTING GUIDE

! NOTICE/AVIS

For more information on this equipment, including circuit diagrams, parts and service manuals, and other descriptions, please contact MTI.

Pour plus d'informations sur cet équipement, y compris des schémas de circuits, les manuels de service et pièces, et autres descriptions, s'il vous plaît contacter MTI.

#	SYMPTOM	PROBLEM CAUSE	SOLUTION
1	Chair will not function.	Chair power cord is not plugged in.	Verify power cord is securely connected at both ends.
2	Chair will not function.	Facility power receptacle problem.	Check facility's power receptacle with a known working device of same voltage specifications.
3	Chair will not function.	Facility power receptacle problem.	Check facility circuit breaker to verify it is not tripped.
4	Chair will not function.	Facility supply voltage is incorrect voltage.	Verify voltage is per specifications on chair serial number/product tag.

SPECIFICATIONS

DESCRIPTION	SPECIFICATION	
Lifting Capacity	400: 250 lbs (113.4 kg)	401: 350 lbs (158.8 kg)
Weight of Chair* 400 401	137 lbs (63 kg) 170 lbs (78 kg)	
Shipping Weight of Chair* 400 401	224 lbs (102 kg) 257 lbs (117 kg)	
Table Top Range	19" (48.3 cm) to 27" (68.6 cm)	
Back Section Range	0° (horizontal) to 82° ± 5°	
General Dimensions (with headrest retracted)	19.5" (49.5 cm) wide x 43" (109.2 cm) long	
Power Cord: 401 only	Plugs: U.S.A. standard 3 prong	
Electrical Ratings: 401 only	115 VAC ± 10%, 2.78 amps, 60 HZ	
Classification	Class 1, Type B Equipment, Ordinary Equipment, Intermittent Operation	
*Weight and dimensions may vary depending on accessories purchased and international shipment weights and dimensions may vary.		



Strength in patient care.™

3655 W Ninigret Drive
Salt Lake City, Utah, 84104-6572
(800) 924-4655 • (801) 875-4999 • Fax (801) 952-0548
www.mti.net

© MTI, Inc. All rights reserved.
MTI reserves the right to make any
product changes without notice.

073001 Rev B