



Strength in patient care.™

450 PROCEDURE CHAIR & 450W PROCEDURE TABLE



U.S. & Canada 800 924.4655 | International 801 875.4999

mti.net

MTI IS COMMITTED TO CONTINUALLY PRODUCE HIGH-QUALITY AND COMPETITIVELY PRICED PRODUCTS.



450 24" wide exam/procedure chair with power lift, back, tilt, and foot functions, and extendable leg rest.

pg. 4



450W 30" wide bariatric exam/procedure table with power lift, back, tilt, and foot functions, and extendable leg rest.

pg. 8



MTC Series Cabinets Mobile treatment cabinets are available in various drawer/door, height, depth, and color configurations.

pg. 12



Side Chairs Seat your patients and guests on MTI's comfortable side chairs.

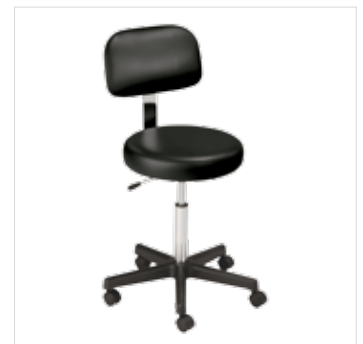
pg. 12



LED Exam Lights

Three different LED models available in either a caster base, floor stand, or chair-mounted version

pg. 13



Stools Hand or foot operated stools with available with various back and seat configurations.

pg. 14



Why buy MTI?

- PRODUCTS DESIGNED FOR THE SPECIALIST
- INDUSTRY LEADER
- RUGGED CONSTRUCTION
- SUPERIOR BASE DESIGN
- VELCRO®-ATTACHED UPHOLSTERY
- LOW-VOLTAGE OPERATION
- UNSURPASSED CUSTOMER SERVICE
- AFFORDABLE PRICE
- TECHNOLOGICALLY ADVANCED PRODUCTS
- CUSTOMER FOCUSED

MTI's History

Why MTI has "Strength in patient care."

When Jeff Baker founded Medical Technology Industries, Inc. DBA MTI, Inc., he had already worked in the healthcare field for over 26 years. His time as vice president of The HealthChair® Group's DMI® medical division, and years of experience in PDM®, The HealthChair® Group's podiatry division, prepared him for his new venture as he launched MTI in 1999.

Armed with the knowledge of his customers' needs and desires, Baker founded MTI to make and sell high-quality patient and physician oriented seating and cabinetry, along with other accessories. MTI designed its first podiatry chair the same year the company was founded, followed by a complete line of cabinetry and surgery chairs for otolaryngology.

MTI's success and rapid growth led to the construction in 2005 of a technology-rich 50,000 square-foot manufacturing facility. The building includes green technology, including computer-controlled high-efficiency cooling and heating systems, low-E glass windows, central plenum ceilings, and additional wall and ceiling insulation.

Always looking to the future, MTI is committed to continually produce high-quality and competitively priced products while remaining dedicated to customers, associates, and the community. MTI strives to remain at the forefront of the industry by employing qualified and well-trained associates, listening to customers' needs and desires, and never losing the thirst for success.

450

MTI Model 450 Quad-Power Chair

Power lift, back, tilt and foot functions

The 450 Quad-Power Chair is technologically advanced to provide healthcare workers and patients with increased safety and strength in patient care. Four (4) synchronous power motors provide superior technology for lift, back, tilt and foot functions with an **industry-leading 650 lbs. (295 kg) rated lift function capacity.**

MTI is set further ahead of the competition with durable and long-lasting all steel frame construction. Motor safety technology includes electronic current sensing with ultra-quiet, smooth and reliable 24-volt DC motors to ensure safe patient movement and precise positioning. Patient access and comfort is enhanced with a minimum seat height of 19" (48.3 cm), seat section 24" wide x 21.5" deep (61 cm x 54.6 cm) with an overall maximum length of 83.5" (212.1 cm).

Comfort is extended with an articulating rectangular headrest with a form fitting backrest and choice of Seamless Premium Upholstery or Designer Ultraleather™ Upholstery with Memory Foam. Economics is enhanced with a **programmable foot control with auto return included** with each chair. An optional hand control is also available.

The 450 Chair is available in a low model (19" [48.3 cm]) or high model (21" [53.3 cm]) entry height with 11.5" (29.2 cm) or 16" (40.6 cm) of vertical travel, respectively.

The 450 is also available in a mobile base or swivel base version.

Model 450 Power Chair shown with seamless upholstery style and optional Removable Floating Arms™.





Positions from upright to contour, flat, and trendelenburg are easily attained with the power lift, back, tilt, and foot functions of the MTI 450 Power Chair.



Easy-glide, rotary-dampened, extendable footrest with built-in LED safety sensor that detects interferences between the chair and the floor or other objects.



Swivel base version with designer upholstery style



Mobile base version with seamless upholstery style and optional Floating Arm™ configuration.

450 features

- Low model (19" [48.3 cm]) or high model (21" [53.3 cm]) entry height
- Ultra quiet 24-volt low-voltage DC electric gear motors
- Power lift, back, tilt and foot functions (footrest extends)
- 650 lbs (295 kg) lifting capacity
- 24" (61 cm) maximum width, 23.5" (59.7 cm) foot section
- LED operational safety sensor
- Easy-glide, rotary-dampened, extendable footrest
- Foot-mounted splines for leg wrapping support
- Floating Arms™ mechanism (arms not included)
- Rectangular articulating headrest
- All steel frame and cushion substrates
- Choice of Velcro®-attached Designer Ultraleather™ upholstery with memory foam or seamless premium upholstery
- Foot control with four (4) user-programmable positions with auto return, stop/cancel, and any button cancellation
- Optional hand control available
- Fire barrier material option available to comply with California Technical Bulletin 133
- Listed to UL 60601-1, CAN/CSA C22.2 No. 601.1-M90, and IEC 60601-1

450

MTI Model 450 Quad-Power Chair Specifications*

Maximum lifting capacity:	650 lbs (295 kg)
Minimum Seat Height:	19" (48.3 cm)/21" (53.3 cm)
Maximum Seat Height:	30.5" (775 cm)/37" (94 cm)
Maximum Vertical Elevation:	11.5" (29.2 cm)/16" (40.6 cm)
Maximum Trendelenburg:	30°
Foot Section:	23.5" wide x 14.5" long (59.7 cm x 36.8 cm)
Seat Section:	24" wide x 21.5" long (61 cm x 54.6 cm)
Back Section:	24" tapering to 14" wide x 22.5" long (61 cm tapering to 35.6 wide x 57.2 cm long)
Electrical:	115/60, 4 amps 230/50, 2 amp
Chair weight (Std. base)†:	369 lbs (167 kg)
Chair weight (Mobile base)†:	365 lbs (166 kg)
Chair weight (Swivel base)†:	415 lbs (188 kg)
Chair shipping weight†:	An additional 71 lbs. (32.2 kg) over model chair weight
Chair shipping size (Standard, Swivel)†:	80" x 32" x 33" (203.2 cm x 81.3 cm x 83.8 cm)
Chair shipping size(Mobile)†:	80" x 36" x 31" (203.2 cm x 91.4 cm x 78.7 cm)
Uph. kit shipping weight:	24 lbs (10.9 kg)
Uph. kit shipping size:	47" x 8" x 28" (119.4 cm x 20.3 cm x 71.1 cm)

*Listed to UL 60601-1, CAN/CSA C22.2 No. 601.1-M90,
and IEC 60601-1

Patent No. 7,862,123

†International weights and dimensions may vary.

450 Chair Accessories



A | LED Exam Light
B | Mayo Tray
C | IV Pole
(available to mount on
patient's left or right
hand side)

Floating Arms

Our patented floating arm system assures your patients always have arms in the proper position for comfort and use. The arms slide back for easy patient ingress/egress and can be removed with a touch of a button to accommodate patients with disabilities. The arms may also be swapped (moving left to right side) to accommodate patients in a prone position or replaced with other arms or bed rails.



LED Operational Safety Sensor

The LED safety sensor is designed to keep healthcare workers and parents safe during use. When the footrest is extended, the safety sensor detects any possible interference between the chair and floor or other objects. Once interference is detected, the chair will cease function until the interference is removed.



Seamless Upholstery
(Premium colors only)



Designer Upholstery
(Ultraleahter™ colors only)



Swivel Base
(340-degree)



Mobile Base
(raises height 1')



Casters
(raises height 3.75')



Leveling Glides, 2"



Slide Back Removable
Floating Patient Arms



Adjustable Patient Arm
(available in seat and
back mounted versions)



IV/Surgery Arms, 24"
(available in standard
and deluxe versions)



Hand/Forearm
Procedure Table



Hand/Arm Surgery
Table
(12'w x 36'l)



Bed Rails



Body and Leg
Restraining Straps



Paper Roll Holder, 18"



Duplex Outlet



Corded Hand Control



Flexible Hand Control
Caddy



Foot Control Slant
Mount



Oval Headrest
(9'h x 8'w)
(available in articulating
and non-articulating)



Deep Oval Articulating
Headrest
(9'h x 8'w)



Prosthetic Articulating
Headrest
(4'h x 8'w)



Horseshoe Articulating
Headrest
(10'h x 10.5'w)



Crescent & U-Shaped
Wrist Supports



Power Cord, 3' with
90-degree plug



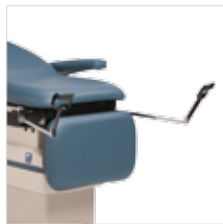
Back Rails



Back Rail Mounted
Steering Handles



Seat Rails



Stirrups, Removable



Base Rails (mount
multiple accessories
to rail, including
accessory rail bracket)



Accessory Rail Mount
Bracket

450W

MTI Model 450W Quad-Power Table

Power lift, back, tilt and foot functions

The 450W Quad-Power Bariatric Table is MTI's strongest and most technologically advanced table to provide healthcare workers and patients with increased safety and strength in patient care. Four (4) synchronous power motors provide superior technology for lift, tilt, back, and foot functions with an **industry-leading 800 lbs. (363 kg) rated lift function capacity.**

MTI is set further ahead of the competition with durable and longlasting all steel frame construction. Motor safety technology includes electronic current sensing with ultra-quiet, smooth and reliable 24-volt DC motors to ensure safe patient movement and precise positioning. Patient access and comfort is enhanced with a minimum seat height of 19" (483 cm), seat section 30" wide x 21.5" deep (76.2 cm x 54.6 cm) with an overall maximum length of 83.5" (212.1 cm).

Comfort is extended with an articulating trapezoidal headrest with a form fitting backrest and choice of Seamless Premium Upholstery or Designer Ultraleather™ Upholstery with Memory Foam. Economics is enhanced with a **programmable foot control with auto return included** with each chair. An optional hand control is also available.

The 450W Table is available in a low model (20" [50.8 cm]) or high model (22" [55.9 cm]) entry height with 11.5" (29.2 cm) or 16" (40.6 cm) of vertical travel, respectively.

The 450W is also available in a mobile base or swivel base version.



Model 450W Power Table shown with standard seamless upholstery and optional Removable Floating Arms™.



Positions from upright to contour, flat, and trendelenburg are easily attained with the power lift, back, tilt, and foot functions of the MTI 450 Power Table.



Easy-glide, rotary-dampened, extendable footrest with built-in LED safety sensor that detects interferences between the table and the ground.



Swivel base version with designer upholstery style



Mobile base version with seamless upholstery style and optional Floating Arm™ configuration.

450W features

- Low model (19" [48.3 cm]) or high model (22" [55.9 cm]) entry height
- Ultra quiet 24-volt low-voltage DC electric gear motors
- Power lift, back, tilt and foot functions
- 800 lbs (363 kg) lifting capacity
- 30" (76.2 cm) maximum width, 30" (76.2 cm) foot section
- LED operational safety sensor
- Easy-glide, rotary-dampened, extendable footrest
- Foot-founded splines for leg wrapping support
- Floating Arms™ mechanism (arms not included)
- Trapezoid articulating headrest
- All steel frame and cushion substrates
- Choice of Velcro®-attached Designer Ultraleather™ upholstery with memory foam or Seamless Premium upholstery
- Foot control with four (4) user-programmable positions with auto return, stop/cancel, and any button cancellation
- Optional hand control available
- Fire barrier material option available to comply with California Technical Bulletin 133
- Listed to UL 60601-1, CAN/CSA C22.2 No. 601.1-M90, and IEC 60601-1

450W

MTI Model 450W Quad-Power Table Specifications*

Maximum lifting capacity:	800 lbs (363 kg)
Minimum Seat Height:	19" (48.3 cm)/22" (55.9 cm)
Maximum Seat Height:	30.5" (77.5 cm)/37" (94 cm)
Maximum Vertical Elevation:	11.5" (29.2 cm)/16" (40.6 cm)
Maximum Trendelenburg:	30°
Foot Section:	29.5" wide x 14.5" long (74.9 cm x 36.8 cm)
Seat Section:	30" wide x 21.5" long (76.2 cm x 54.6 cm)
Back Section:	30" contoured to 27" wide x 23" long (76.2 cm contoured to 68.6 wide x 58.4 cm long)
Electrical:	115/60, 4 amps 230/50, 2 amp
Table weight (Std base)†:	389 lbs (176 kg)
Table weight (Mobile base)†:	402 lbs (182 kg)
Table weight (Swivel base)†:	433 lbs (196 kg)
Table shipping weight†:	An additional 71 lbs. (32.2 kg) over model table weight
Table shipping size (Standard, Swivel)†:	80" x 36" x 31" (203.2 cm x 91.4 cm x 78.7 cm)
Table shipping size(Mobile)†:	48" x 48" x 53" (121.9 cm x 121.9 cm x 134.6 cm)
Uph. Kit shipping weight:	31 lbs (41.1 kg)
Uph. kit shipping size:	47" x 8" x 34" (119.4 cm x 20.3 cm x 86.4 cm)

*Listed to UL 60601-1 Part 1, CAN/CSA C22.2 No. 601-1 M90 Part 1, European GENELEC EN 60601-1 Safety Standards for Medical Electrical Equipment Part 1, and IEC60601-1-2 (2001-09)-Part 1-2.

Patent No. 7,862,123

†International weights and dimensions may vary.

450W Table Accessories

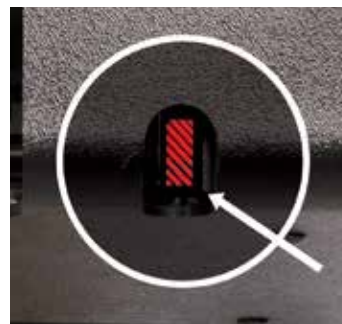


- A | LED Exam Light
- B | Mayo Tray
- C | IV Pole

(available to mount on patient's left or right hand side)

Floating Arms

Our patented floating arm system assures your patients always have arms in the proper position for comfort and use. The arms slide back for easy patient ingress/egress and can be removed with a touch of a button to accommodate patients with disabilities. The arms may also be swapped (moving left to right side) to accommodate patients in a prone position or replaced with other arms or bed rails.



LED Operational Safety Sensor

The LED safety sensor is designed to keep healthcare workers and patients safe during use. When the footrest is extended, the safety sensor detects any possible interference between the table and floor or other objects. Once interference is detected, the table will cease function until the interference is removed.



Seamless Upholstery
(Premium colors only)



Designer Upholstery
(Ultraleahter™ colors only)



Swivel Base
(340-degree)



Mobile Base
(raises height 1')



Leveling Glides, 2"



Body and Leg
Restraining Straps



Slide Back Removable
Floating Patient Arms



Patient Arm
(available in seat and
back mounted versions)



IV/Surgery Arms, 24"
(available in standard and
deluxe versions)



Hand/Forearm
Procedure Table



Hand/Arm Surgery
Table
(12'w x 36'l)



Bed Rails



Duplex Outlet



Paper Roll Holder, 21"



Corded Hand Control



Flexible Hand Control
Caddy



Foot Control
Slant Mount



Power Cord, 3' with
90-degree plug



Oval Headrest
(9'h x 8'w)
(available in articulating
and non-articulating)



Deep Oval Articulating
Headrest
(9'h x 8'w)



Rectangular Headrest
(8'h x 12'w)
(available in articulating
and non-articulating)



Prosthetic Articulating
Headrest
(4'h x 8'w)



Horseshoe Articulating
Headrest
(10'h x 10.5'w)



Crescent & U-Shaped
Wrist Supports



Back Rails



Back Rail Mounted
Steering Handles



Seat Rails



Stirrups, Removable



Base Rails (mount
multiple accessories
to rail, including
accessory rail bracket)



Accessory Rail Mount
Bracket

Mobile Treatment Cabinets

The MTI MTC Series of cabinets feature European styling with appealing rounded side panel edges and molded handles, premium industrial wood components and Wilsonart Crystal color laminate outside and melamine laminated inside.

Standard features include: Choice of 22" (559 cm) deep or 18" (457 cm) deep counter top*, four hard rubber casters, laminate inside and out, European drawer construction and hinge hardware, 3 mm drawer/door edge molding, resilient counter top edge guard, choice of Crystal or Black counter top and backwall, and choice of one of MTI's seven Standard Laminate Cabinet colors for the doors and drawers.

Other options are available such as lift up shelf, recessed dirty instrument trays, drawer locks, and more.



Optional 3 and 4 cavity plastic molded drawer inserts available.



Crystal



Brittany Blue



Shadow



Dove Grey



Grey



Sangaree



Light Beige



MTC-1

The MTC-1 is a 33.5" (85.1 cm) high and 24" (61 cm) wide mobile treatment cabinet with five drawers and a 4" (10.2 cm) backsplash



MTC-A

The MTC-A is a 33.5" (85.1 cm) high and 24" (61 cm) wide mobile treatment cabinet with three drawers, two doors and a 4" (10.2 cm) backsplash



MTC-B

The MTC-B is a 41" (104.1 cm) high and 24" (61 cm) wide mobile treatment cabinet with four drawers, two doors and a 4" (10.2 cm) backsplash

Side Chairs

The MTI 301 Side Chair without arms and the MTI 302 Side Chair with arms complete your office in the same or a different décor than your other MTI exam room furniture. Available in MTI's Premium Upholstery and Ultraleather™ material as well as special colors and fabrics. Also available in TB133 construction to meet CAL133 requirements.

- Contoured seat and backrest for a comfortable and sturdy support
- Adjustable leveling feet
- Legs that kickback, preventing the chair from damaging the wall
- Black steel tubular frame
- 400 lb (181.4 kg) weight capacity



302 Side Chair with arms



301 Side Chair without arms

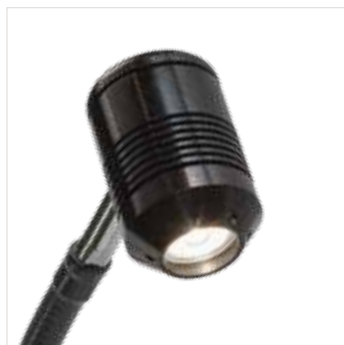
Green Lights

The benefits of energy-efficient lighting.

LEDs are much more energy efficient, using up to 50% less power than halogen lights and reducing cost for practice and hospitals.

- Lower electricity bills
- Improve lighting quality and worker productivity
- Reduce maintenance and replacement costs with long life
- Contribute to a cleaner, safer environment
- Produce nearly no heat for greater patient/professional comfort

According to the EPA, if energy-efficient lighting was used everywhere it was profitable, electricity demands for lighting would be reduced by 50 percent and aggregate national electricity requirements would be cut by 10 percent. Energy savings would exceed \$12 billion a year while decreasing air pollution by five percent. This would be equivalent to taking 15 million cars off the road, resulting in less smog, acid rain and a slowing of global climate change. (www.energystar.gov)



Lumerus™

- Head size of 2.25" (5.7 cm)
- 70,000 hour rated LEDs
- 4,100° K ±300° K
- Light Intensity @ 16" (406 cm): 24,800 lux (2,300 fc)
- Spot Size @ 16" (406 cm): 5" (12.7 cm) dia
- 5-year limited warranty



Clairs 4™

- Head size of 3" (7.6 cm)
- 40,000 hour rated LEDs
- 4,300° K ±300° K
- Light Intensity @ 12" (305 cm): 21,500 lux (2,000 fc)
- Spot Size @ 12" (305 cm): 3" (7.6 cm) dia
- 2-year limited warranty



Clarus 7™

- Head size of 3.5" (8.9 cm)
- 40,000 hour rated LEDs
- 4,300° K ±300° K
- Light Intensity @ 16" (406 cm): 33,400 lux (3,100 fc)
- Spot Size @ 16" (406 cm): 8" (203 cm) dia
- 2-year limited warranty



Each Light is available in a caster base and floor stand version.



The Lumerus™ light also available in chair post-mounted and chair back-mounted version.

LED Lights



System Two LED Surgery Light*

- 25.5" diameter (648 mm) light head
- 130,000 lux output at 1 meter
- 5 stage dimming control from sterile handle
- 9" (229 mm) - 14" (356 mm) adjustable light pattern
- 4,200° (-/+300) Kelvin color temperature
- 60 LED's rated at 50,000 hours
- Voltage is 100-240V



MI 1000 LED Procedure Light*

- 16" (406 mm) diameter light head
- 100,000 lux output at 1 meter
- 5 stage dimming control from a sterile handle
- On/Off button on sterile handle
- 4,300° Kelvin color temperature
- 36 LED's rated at 50,000 hours
- Voltage is 100-240V



MI 750 LED Procedure Light*

- 14.5" (368 mm) diameter light head
- 50,000 lux output at 1 meter
- 3 stage dimming control from a sterile handle
- On/Off button on sterile handle
- 4,300° Kelvin color temperature
- 12 LED's rated at 50,000 hours
- Voltage is 100-240V



MI 500 LED Exam Light*

- 6" (150 mm) diameter flood pattern at 24" (61 cm)
- 43,000 lux output at 24" (61 cm)
- 4,300° Kelvin color temperature at 24" (61 cm)
- 8 LED's rated at 50,000 hours
- Voltage is 100-240V

*3-year parts limited warranty

Physician/Assistant Seating

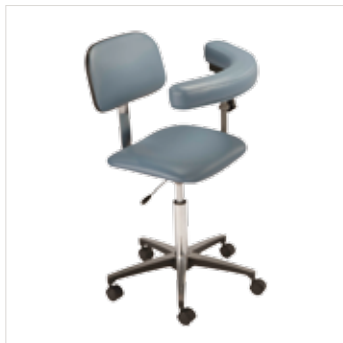
Many seating chairs and options are available. Please see additional brochure for physician and assistant seating.



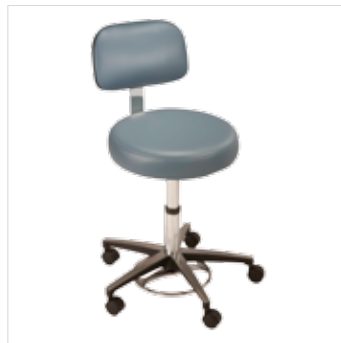
MT's SG 5-caster stool with two-way adjustable ergonomic back support provides a comfortable seat and adds elegance to any exam room. Available in two operating heights:

High Model
21.5" - 28.75" (54.6 cm - 73 cm)

Low Model
17.5" - 22.5" (44.5 cm - 57.2 cm)



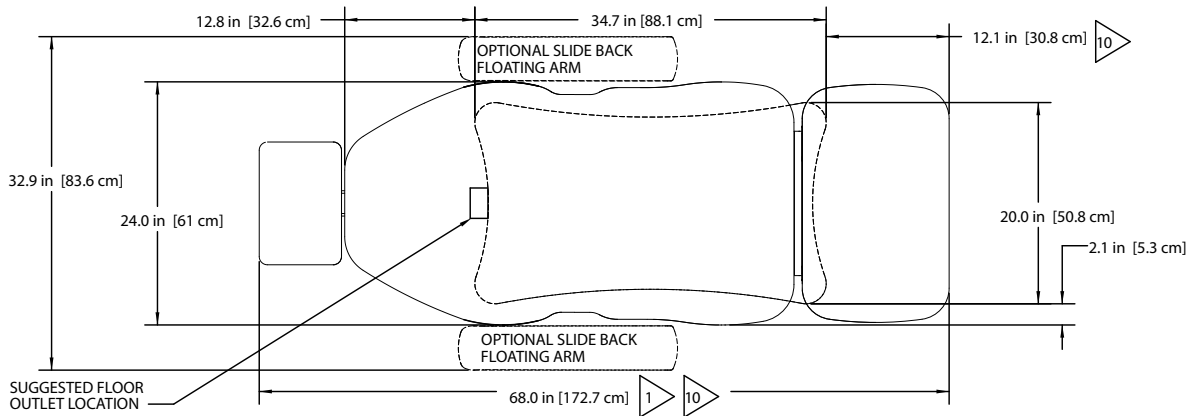
EG13721 Pneumatic Hand Operated Chair with Ergonomic Back and Curved Body Support



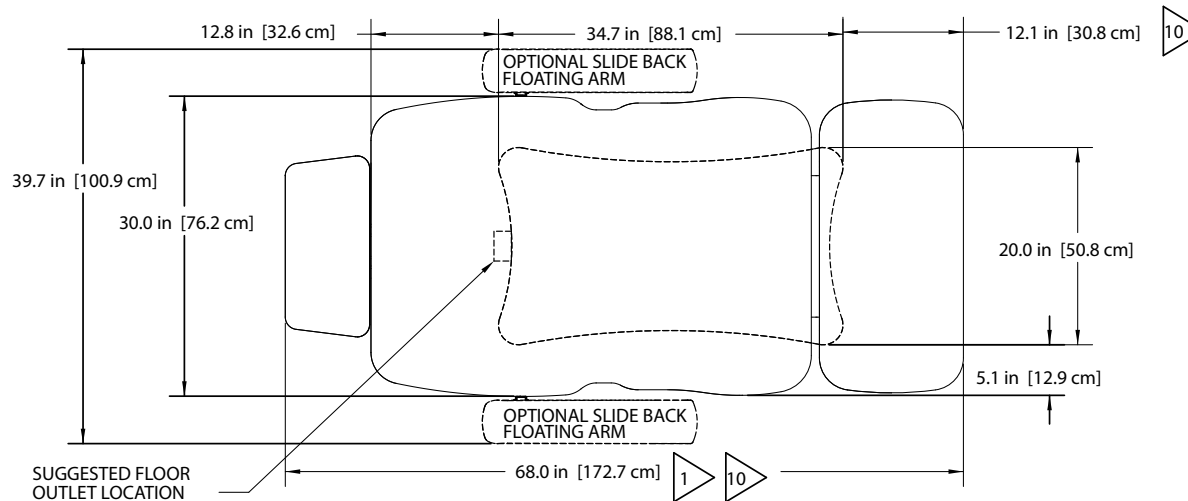
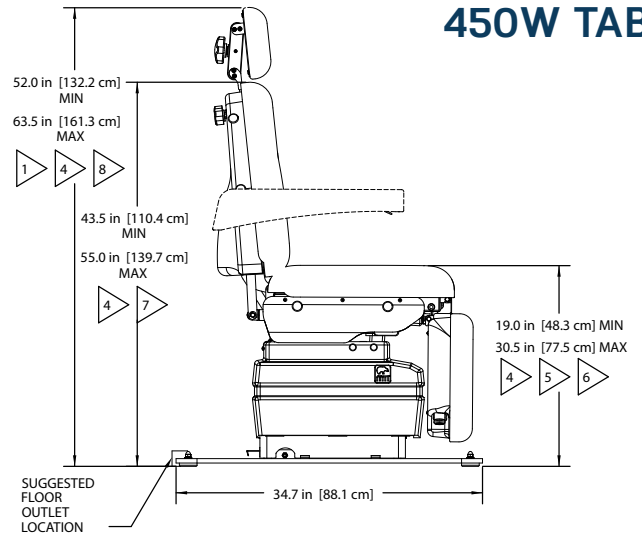
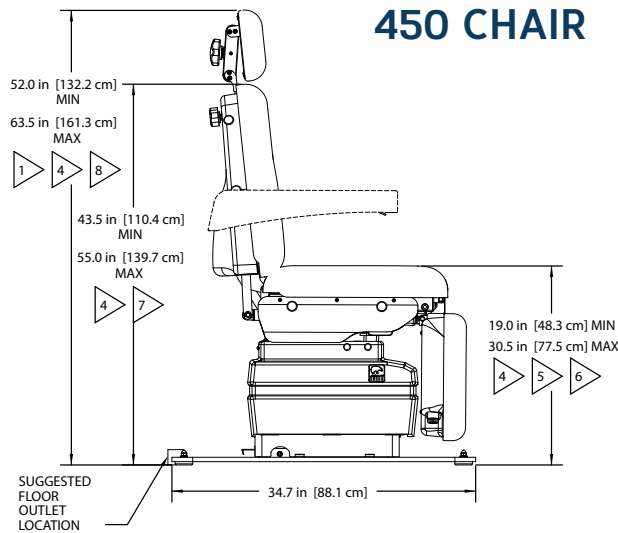
FG51121 Pneumatic Foot Operated Chair with 4-way Adjustable Back



HY41122 Hydraulic Foot Operated Surgery Chair



450 CHAIR



450 CHAIR

1. The headrest extension adds up to 6 in [15.2 cm].
2. Optional 3 foot power cord with 90° plug available.
3. 115V x 4 amps and 230V x 2 amps options available.
4. Swivel base option adds 1.75 in [4.4 cm] to overall height.
5. Dimension measured in a compressed upholstery state.
6. For 450H model chair dimensions are 21.0 in [53.3 cm] Min and 37.0 in [94.0 cm] Max.
7. For 450H model chair dimensions are 45.5 in [115.7 cm] Min and 61.5 in [156.2 cm] Max.
8. For 450H model chair dimensions are 54.0 in [137.2 cm] Min and 70.0 in [177.8 cm] Max.
9. Upholstery related dimensions may vary from those shown up to 2.5 in [6 cm].
10. The footrest extension adds up to 9.5 in [24.1 cm].

450W TABLE

1. The headrest extension adds up to 6 in [15.2 cm].
2. Optional 3 foot power cord with 90° plug available.
3. 115V x 4 amps and 230V x 2 amps options available.
4. Swivel base option adds 1.75 in [4.4 cm] to overall height.
5. Dimension measured in a compressed upholstery state.
6. For 450WH model table dimensions are 21.0 in [53.3 cm] Min and 37.0 in [94.0 cm] Max.
7. For 450WH model table dimensions are 45.5 in [115.7 cm] Min and 61.5 in [156.2 cm] Max.
8. For 450WH model table dimensions are 54.0 in [137.2 cm] Min and 70.0 in [177.8 cm] Max.
9. Upholstery related dimensions may vary from those shown up to 2.5 in [6 cm].
10. The footrest extension adds up to 9.5 in [24.1 cm].

Patent No. 7,862,123
International weights and dimensions may vary.



3655 W Ninigret Drive
Salt Lake City, Utah, 84104-6572
(800) 924-4655 | (801) 875-4999 | Fax (801) 952-0548 | www.mti.net



© MTI, Inc. All rights reserved. | MTI reserves the right to make any product changes without notice.
071053 Rev A (08/15)