



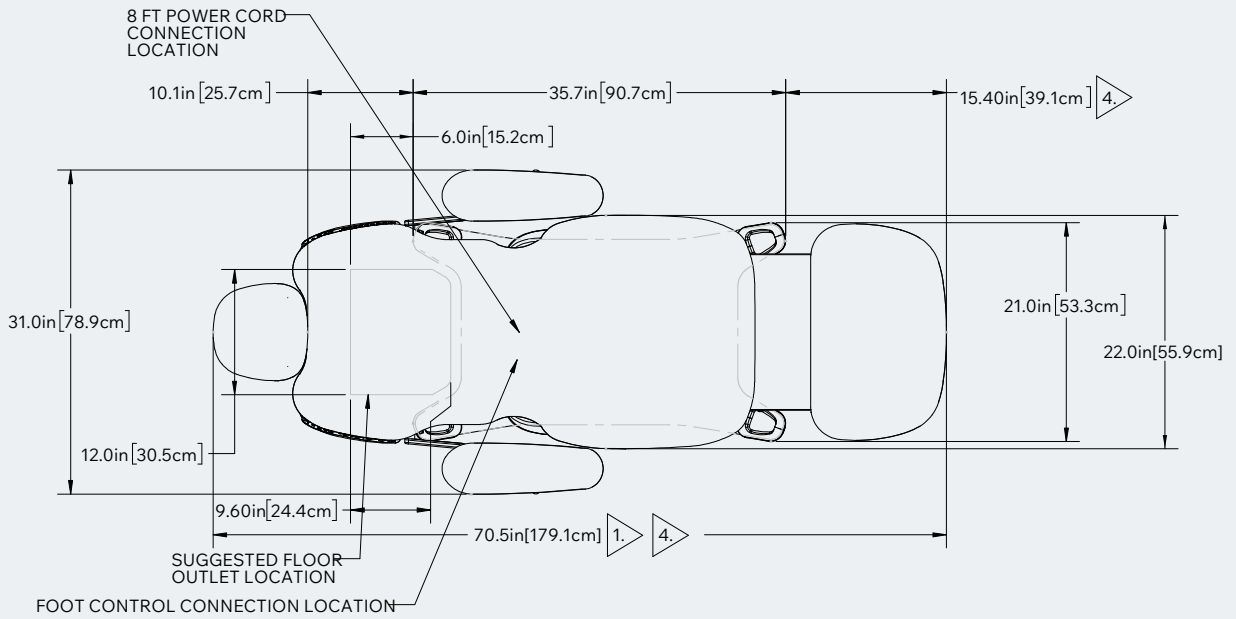
Product Specifications

729

Oral/Dental Surgery Chair



Model Number		729
Product Number		729-001-80
Functional & Performance	Base Style	Standard
	Country of Origin	USA
	Patient Weight Capacity	725 lb
	Power Functions	Lift, Back, Tilt, Foot, & Foot Extension
	Swivel Rotation	0°
	Entry Height <small>Highest point of uncompressed upholstery</small>	18.75"
	Maximum Seat Height	39"
	Programmable Buttons	4
	Programmable Home	✓
	Seat Tilt Range <small>Relative to floor</small>	0–30°
	Foot Section Range <small>Relative to seat angle</small>	0-90°
	Foot Section Extension	7"
Features	Standard Controls	Foot Control & Hand Switches
	Optional Controls <small>Used in place of foot control</small>	Corded Hand Control
	Arms	Standard
	Standard Headrest	Deep Oval or Prosthetic
Dimensions & Weight	Product Weight	312 lb
	Shipping Weight <small>With upholstery installed</small>	392 lb
	Shipping Weight <small>Without upholstery installed</small>	374 lb
	Shipping Size	80 × 32 × 32"
Electrical	Voltage (V)	100-240 V
	Hertz (Hz)	47-63 Hz
	Current Rating (A)	7 amp
	Plug Type	NEMA type 5–15P
Regulatory & Compliance	Listed to UL 60601-1 & 60601-2	✓
	Listed to CAN/CSA-C22.2 No. 60601-1	✓
	Compliant with 2024 DOJ & HSS Final Rules	✓
	Compliant with 2017 36 CFR Part 1195 Standards for Accessible Medical Diagnostic Equipment	✓
	Compliant with 2010 ADA Standards for Accessible Design	✓



729-001-80 Standard

NOTES:

- 1. THE HEADREST EXTENSION ADDS UP TO 7.0in [17.8cm].
- 2. OPTIONAL 3 FOOT POWER CORD AVAILABLE.
- 3. UPHOLSTERY RELATED DIMENSIONS MAY VARY FROM THOSE SHOWN UP TO .25in [.6 cm].
- 4. INDICATED DIMENSIONS INCLUDE 7.0in [17.8cm] OF POWERED EXTENSION.
- 5. MTI RESERVES THE RIGHT TO MAKE ANY PRODUCT CHANGES WITHOUT NOTICE.

