

User Manual

DV-1 & DV-3 Dust Vac™



Strength in patient care.™

U.S. & Canada (888) 520-4998
International (801) 875-4998
www.mti.net

APPLICABLE MODEL(S).....	IV
REVISION HISTORY TABLE.....	IV
GENERAL INFORMATION.....	1
Purpose of this Manual.....	1
Intended Use.....	1
Symbols and Warnings.....	2
Symboles et Avertissements.....	2
Safety Instructions.....	2
Electrical Requirements.....	3
Contraindications.....	3
Transportation and Storage Conditions.....	3
Disposal of Equipment.....	3
EQUIPMENT FEATURES.....	4
INSTALLATION.....	5
Filter Installation.....	5
OPERATION.....	7
Controls.....	7
LIST OF ACCESSORIES.....	8
MAINTENANCE.....	8
Cleaning and Disinfection.....	8
Calls for Service.....	9
LIMITED WARRANTY.....	9
TROUBLESHOOTING GUIDE.....	10
SPECIFICATIONS.....	11

APPLICABLE MODEL(S)

This manual is for the following part numbers and revisions:

PART NUMBER	DESCRIPTION	EFFECTIVE S/N
1000008	DV-3 Dust Vac Debris Vacuum w/Foot Control, 115V	080728008 - Current
1000019	DV-1 Dust Vac Debris Vacuum, 115V	000222003 - Current

REVISION HISTORY TABLE

DATE	REVISION	CO#/ECO#	DETAILS
6/30/2017	A	CO-0088	Initial Release
12/06/2019	B	CO-0187	Revised Proposition 65 warning

User Manual

DV-1 & DV-3 Dust Vac™

GENERAL INFORMATION

Purpose of this Manual

This manual covers the safety, installation, instructions for use, and maintenance of this equipment. It is intended that it be used by the service professional installing the equipment and by the medical professionals who have been trained to use it. No repair information is included with this manual, because no operator repairs are intended.

Intended Use

This equipment is intended to be used as a vacuum for debris generated by foot treatment procedures performed by medical professionals.

PRODUCT INFORMATION

Date of Purchase: _____

Model Number: _____

Serial Number: _____

(See "EQUIPMENT FEATURES" on page 4 for location of serial number label)

Symbols and Warnings

This manual contains Notices, Cautions, and Warnings, which are meant to call attention to particular parts or sections of this manual. Since safety is our first concern, this manual should be read by all personnel who will be operating this medical equipment.

Symboles et Avertissements

Ce manuel contient des avis, des précautions et des avertissements qui sont destinés à attirer l'attention sur des pièces ou des sections de ce manuel particulier. Parce que la sécurité est notre première préoccupation, ce manuel doit être lu par tout le personnel qui sera d'utiliser cet équipement médical.

WARNINGS/AVERTISSEMENTS

Are used to call attention to a condition, practice, or procedure, which could cause personal injury if not followed correctly. Please become familiar with all warnings and observe them at all times.

Sont utilisés pour attirer l'attention sur une condition, pratique ou procédure qui pourrait causer des blessures s'il n'est pas suivi correctement. S'il vous plaît se familiariser avec tous les avertissements et les observer à tout moment.

CAUTIONS/PRECAUTIONS










Are used to call attention to a condition, practice, or procedure, which could cause product damage if not used correctly.

Sont utilisés pour attirer l'attention sur une condition, pratique ou procédure qui pourrait causer des dommages au produit s'il n'est pas utilisé correctement.

NOTICES/AVIS

Are used to call attention to helpful information regarding a condition, practice, or procedure.

Sont utilisés pour attirer l'attention sur des informations utiles concernant une condition, pratique ou de procédure.

	Protective earth ground Terre électrique de protection
	Alternating current Le courant alternatif
	Indicates the presence of a dangerous voltage/shock hazard Indique le présence de voltage dangereux/ de choc
	Follow instructions for use Suivez les instructions pour l'utilisation
	Identifies the manufacturer's serial number Identifie le numéro de série du fabricant
	(WEEE) Waste of Electrical and Electronic Equipment Déchets d'équipements électriques et électroniques
	European Conformity mark Marque Conformité Européenne
	UL Recognized Component Mark for Canada and the United States Composant certifié UL pour le Canada et les Etats-Unis
	Hospital Grade (green dot) De qualité hôpital (point vert)

Safety Instructions

WARNING/AVERTISSEMENT

Read this manual before installation and use.

Lisez ce manuel avant l'installation et l'utilisation.

WARNING/AVERTISSEMENT

No modification of this equipment is allowed.

Aucune modification de cet équipement est autorisée.

WARNING/AVERTISSEMENT

Do not operate equipment in the presence of flammable anesthetics.

Ne pas faire fonctionner l'équipement en présence d'anesthésiques inflammables.

⚠ WARNING/AVERTISSEMENT

This product can expose you to chemicals including titanium dioxide, which is known to the State of California to cause cancer. For more information go to www.P65Warnings.ca.gov and see www.mti.net/faqs for details on California Proposition 65.

Ce produit peut vous exposer à des agents chimiques, y compris le dioxyde de titane, identifiés par l'État de Californie comme pouvant causer le cancer. Pour de plus d'informations, prière de consulter www.P65Warnings.ca.gov et voir www.mti.net/faqs pour les détails sur la Proposition de Californie 65.

Electrical Requirements**⚠ WARNING/AVERTISSEMENT**

To avoid risk of electrical shock, this equipment must be connected to a supply mains with protective earth.

Pour éviter tout risque de choc électrique, cet équipement doit être branché sur une prise électrique avec la terre électrique de protection.

⚠ WARNING/AVERTISSEMENT

Grounding reliability can only be achieved when the equipment is connected to an equivalent receptacle marked "Hospital Only" or "Hospital Grade".

Mise à la terre fiabilité ne peut être atteinte lorsque l'équipement est connecté à un réceptacle équivalent marqué "Hôpital Uniquement" ou "de Qualité Hôpital".

⚠ WARNING/AVERTISSEMENT

Connecting electrical equipment to a multiple socket-outlet effectively leads to creating a medical electronic system and can result in a reduced level of safety.

Connexion d'un équipement électrique à une prise de courant multiple crée un système électronique médicale, et peut entraîner une baisse du niveau de sécurité.

⚠ WARNING/AVERTISSEMENT

Equipment must be positioned in normal use such that the power cords can be easily accessed to unplug.

L'équipement doit être positionné en utilisation normale telle que les cordons d'alimentation peuvent être facilement accessibles à débrancher.

⚠ WARNING/AVERTISSEMENT

Equipment must be connected to an appropriate power source when loss of power source would result in an unacceptable risk.

L'équipement doit être relié à une source d'alimentation appropriée en cas de perte de la source d'alimentation entraînerait un risque inacceptable.

⚠ WARNING/AVERTISSEMENT

Do not use a two-three plug adapter to plug the equipment into a two conductor outlet, as grounding reliability is not maintained.

Ne pas utiliser un adaptateur non de prise de terre pour brancher l'équipement sur une prise à deux conducteurs, la fiabilité de la terre n'est pas maintenue.

! NOTICE/AVIS




Removing the power supply cord at the wall receptacle will simultaneously isolate both poles of the power supply.

Retrait du cordon à la prise murale se isoler simultanément les deux pôles de l'alimentation.

Contraindications

None.

Transportation and Storage Conditions

	Ambient Temperature	+10°C to +40°C (+50°F to +104°F)
	Relative Humidity	30% to 75% (non-condensing)
	Atmospheric Pressure	700hPa to 1060hPa (0.69atm to 1.05atm)

Disposal of Equipment

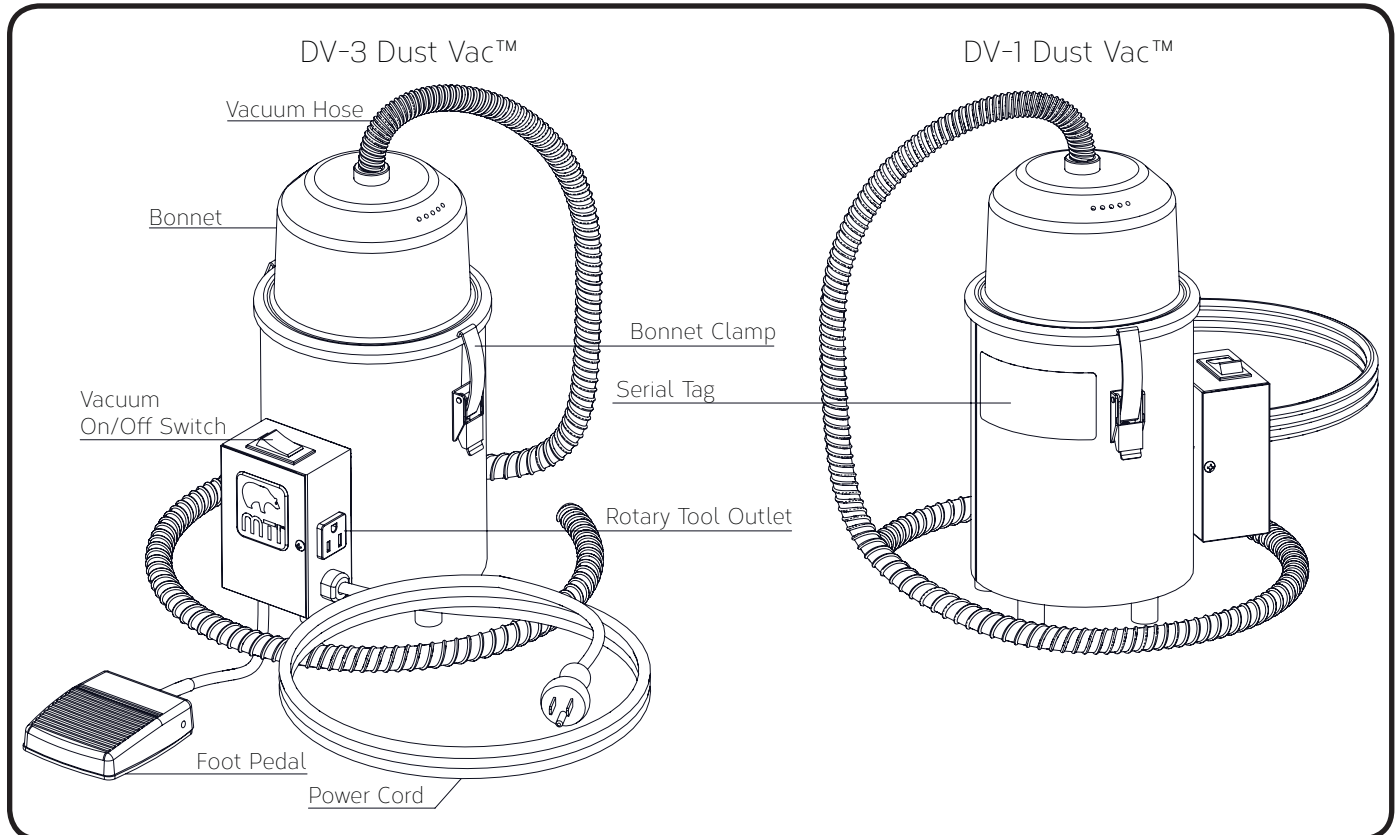
At the end of product life, the equipment, accessories, and other consumable goods may have become contaminated due to normal medical use. Consult local codes and ordinances for proper disposal of equipment, accessories and other consumable goods.

EQUIPMENT FEATURES

Description of Dust Vacs™

MTI Dust Vacs™ come in two stand alone versions. The DV-1 Dust Vac™ is a vacuum with an auxiliary outlet for connecting a rotary power tool with a toggle switch to turn on/off both the vacuum and rotary tool. The DV-3 Vac™ comes with added control via a foot pedal to turn on/off both the vacuum and rotary tool on demand.

DV-1 & DV-3 DUST VACSTM



INSTALLATION

! NOTICE/AVIS

Inspect the shipping boxes for visible damage. Record on bill of lading, photograph, and report any damage to the carrier immediately. Request an inspection by the carrier if any concealed damage is noted.

Inspectez les boîtes d'expédition pour les dommages visibles. Fiche sur le connaissance, prendre une photo, et signalez les dommages dûs au transporteur immédiatement. Demander une inspection par le transporteur en cas de dommage caché est noté.

Filter Installation

The DV-1 and DV-3 Dust Vacs™ should be equipped with a 10 micron filter bag or a .1 micron filter bag with a charcoal disc, which need to be replaced regularly for optimal vacuum life. The DV-1 and DV-3 can also be equipped with an adapter kit to fit most of today's drills. If an adapter kit is ordered, the kit will include:

- Adapter specific to drill
- (4) zip ties
- (1) .1 micron filter bag (Option 1)
- (1) Charcoal disc, used in conjunction with the .1 micron filter bag to filter out odors (Option 1)
- (1) 10 micron filter bag (Option 2)

Option 1 is a combination of a .1 micron filter bag and a charcoal disc. It filters out particles as small as .1 microns and the charcoal disc helps to filter odors. Both the filter and the disc are ordered together. To order, reference part #070026 (Figure 2).

Option 2 filters particles as small as 10 microns. It is a more economical filter system, but must be changed more often because it is a smaller filter. The filter is ordered in a set of 25 filter bags. To order, reference part #1001047 (Figure 2).

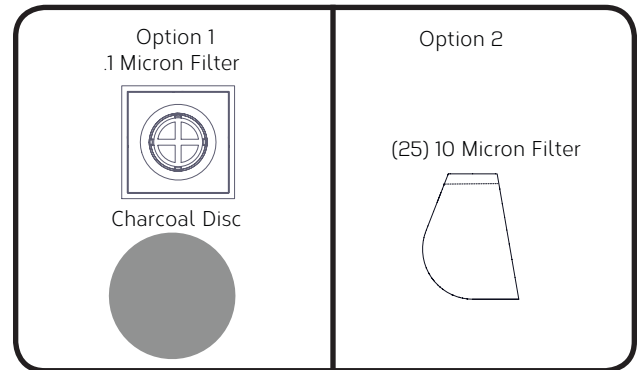


Figure 2

To remove and install a filter bag, remove the bonnet assembly from the vacuum by unlatching the two latches (Figure 3).

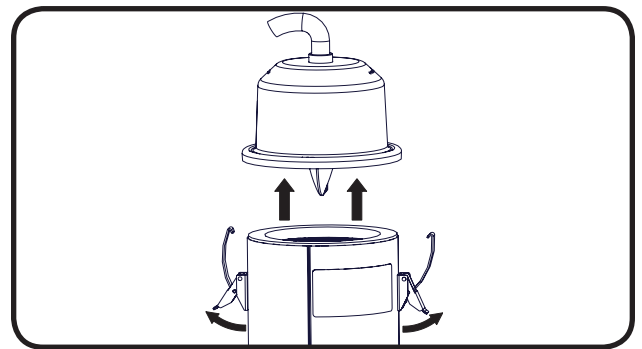


Figure 3

Hold the vacuum bonnet right side up as shown below, then remove the vacuum bag from the gray filter mount found on the inside of the bonnet assembly. Replace it with a new filter bag by fitting the elastic on the 10 micron bag or the plastic coupling on the .1 micron bag over the gray filter mount (Figure 4).

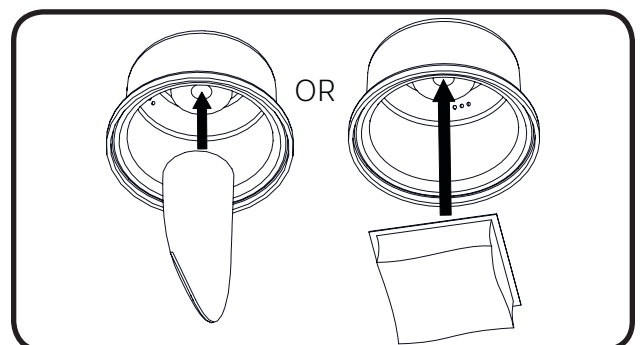


Figure 4

If the .1 micron filter bag is being installed, the charcoal disc also must be installed with the black side up over the vacuum motor (Figure 5).

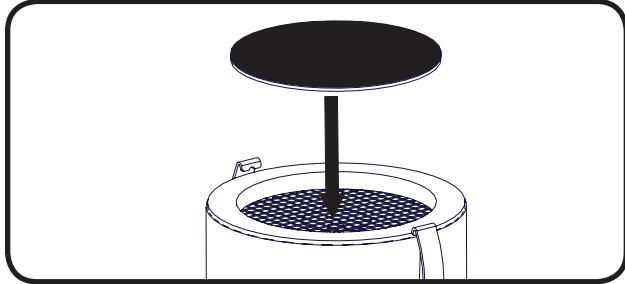


Figure 5

⚠ CAUTION/PRÉCAUTION

Do not clean and reuse the filters. The lifespan of the vacuum will be shortened.

Ne pas nettoyer et réutiliser les filtres. La durée de vie de l'aspirateur sera raccourcie.

⚠ CAUTION/PRÉCAUTION

Check and change filters regularly according to usage.

Vérifier et changer les filtres régulièrement en fonction de l'utilisation.

! NOTICE/AVIS

When changing the filter, it is important to hold the bonnet up with the bag hanging down, so that the dust does not spill back into the bonnet and hose.

Lorsque vous changez le filtre, il est important de maintenir le capot avec le sac pendaison, vers le bas, de sorte que la poussière ne se renverse en arrière dans le capot et le tuyau.

! NOTICE/AVIS

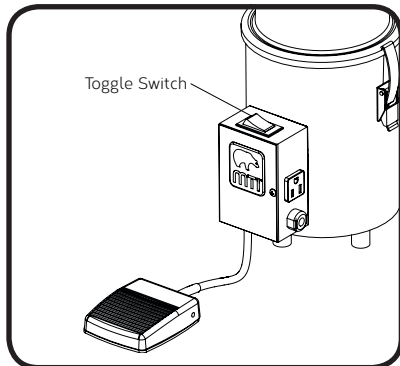
Both types of filters can be ordered in varying quantities from MTI, Inc.

Les deux types de filtres peuvent être achetés à des quantités variables de MTI, Inc.

OPERATION

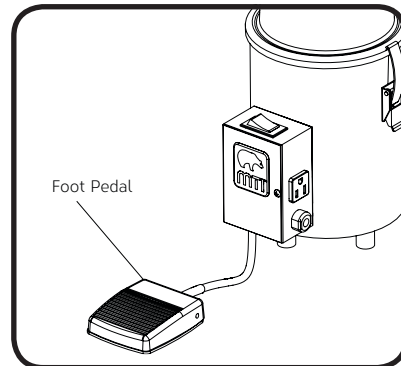
Controls

Toggle Switch



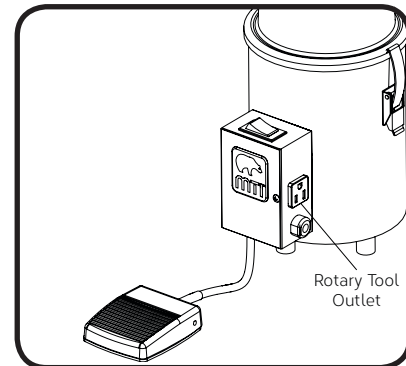
The toggle switch turns on the vacuum. If there is a rotary tool plugged into the rotary tool outlet and the rotary tool is also turned to the ON position, the toggle switch will turn on the vacuum and the rotary tool.

Foot Pedal (DV-3 Only)



The foot pedal turns on the vacuum. If there is a rotary tool plugged into the rotary tool outlet and the rotary tool is also turned to the ON position, the toggle switch will turn on the vacuum and the rotary tool.

Rotary Tool Outlet



Allows a corded rotary tool to be controlled by the toggle switch or foot pedal when the rotary tool is plugged into it.

⚠ WARNING/ AVERTISSEMENT

This outlet is for use of rotary tools only. Plugging other devices in this outlet may cause damage to the vacuum or safety hazards.

Cette sortie est pour l'utilisation des outils rotatifs seulement. Le branchement d'autres appareils de cette sortie peut causer des dommages à l'aspirateur ou des dangers.

LIST OF ACCESSORIES

DESCRIPTION	USE	RESTRICTIONS
Dust Vac™ Adapter Kit. All Dremel™ (except flex shaft) and Black & Decker Wizard™ Rotary Tools	Adapts the vacuum to the Dremel™ and Black & Decker Wizard™ drills.	Does not fit flex shaft (see Dremel Flex Shaft 225™).
Dust Vac™ Adapter Kit. Dremel Flex Shaft 225™	Adapts the vacuum to the Dremel Flex Shaft 225™ drill.	
Dust Vac™ Adapter Kit. Aseptico Torque Plus AEU-12C™, Osada Pedo™	Adapts the vacuum to the Aseptico Torque Plus AEU-12C™ drill and Osada Pedo Surgical™ drill.	
Dust Vac Adapter Kit. Aseptico Power Tip AEU-10SS™	Adapts the vacuum to the Aseptico Power Tip AEU-10SS™ drill.	
Filter Bag and Charcoal Disc. .1 Micron	Filters particles .1 micron or larger.	Filter and charcoal disk must be used in conjunction
Filter Bag. 10 Micron (set of 25)	Filters particles 10 microns or larger.	

MAINTENANCE

WARNING/AVERTISSEMENT

There are no user serviceable parts inside. Refer all servicing to a qualified service technician.

Aucune pièce interne ne peut être réparée par l'utilisateur. Adressez-vous à un technicien qualifié.

WARNING/AVERTISSEMENT

The Control of Hazardous Energy (lockout/tagout) §1910.147 procedure must be followed to disable equipment, preventing the release of hazardous energy while performing servicing and maintenance activities.

La procédure de La Maîtrise des Énergies Dangereuses (lockout/ déconsignation) § 1910.147 doit être suivie pour désactiver l'équipement, empêchant la libération des énergies dangereuses lors de l'exécution des activités de maintenance et d'entretien.

NOTICE/AVIS

MTI recommends cleaning the equipment frequently.

MTI recommande de nettoyer l'équipement fréquemment.

Cleaning and Disinfection

Painted Surfaces

All painted metal parts have been electrostatically painted, and the paint is baked on for durability. These surfaces should be wiped down with a quality grade cleaner and a soft or damp cloth with mild soap once a week.

Plastic Components

Any plastic components should be cleaned regularly with a quality grade of plastic cleaner.

CAUTION/PRÉCAUTION

Avoid prolonged direct contact with sunlight to avoid color change of the plastic.

Éviter tout contact direct prolongé avec le soleil pour éviter un changement de couleur du plastique.

Calls for Service

Equipment's model and serial number information are required when calling for service.

Serial number is indicated by the  symbol located on the serial number tag.

If service is required, contact MTI

U.S. & Canada 888-520-4998

International 801-875-4998

Fax (801) 952-0548

customer.service@mti.net

Monday-Friday 8:00 a.m. - 5:00 p.m. (MST)

www.mti.net

LIMITED WARRANTY

Medical Technology Industries, Inc. (hereinafter referred to as MTI), shall repair or replace products of its manufacture, which prove to be defective in material and/or workmanship for a period of twelve (12) months from the date of shipment to the customer (the "Warranty Period"). MTI will, at its option, provide parts to the customer or repair the defective part at MTI's factory or authorized repair facility. Except as it may otherwise specifically agree in writing, MTI shall not be liable for transportation or labor charges for repairs or adjustments or other work done on any of its products by MTI's authorized dealers or service organizations.

Customer shall notify MTI of any alleged claim or defect within fourteen (14) days from the date customer discovers, or upon reasonable inspection should have discovered, such alleged claim or defect (but in any event before the expiration of the Warranty Period). All repair parts are warranted for Ninety (90) calendar days from the date of shipment to the customer. Warranty is non-cumulative.

This warranty does not apply to any part or product which upon examination by MTI or its authorized agents indicates the product has been repaired or altered in any way by persons other than MTI or its authorized agents, has been misused, abused or used in a manner contrary to any instructions issued by MTI. Any parts or products claimed under this warranty must be properly packaged by customer and returned to MTI's factory with no liability to MTI for the parts, products or transportation charges thereon.

In no event, shall MTI have any liability for consequential, indirect, incidental, special, exemplary, punitive or enhanced damages, lost profits or diminution in value arising out of or relating to a product defect or the repair or replacement of any products manufactured or sold by it.

THE FOREGOING LIMITED WARRANTY IS MADE IN LIEU OF ALL WARRANTIES EXPRESSED OR IMPLIED, AND MTI MAKES NO OTHER WARRANTY WHATSOEVER WITH RESPECT TO THE PRODUCTS INCLUDING BUT NOT LIMITED TO, ANY IMPLIED WARRANTY OR MERCHANTABILITY OR FITNESS FOR A PARTICULAR PURPOSE

TROUBLESHOOTING GUIDE

NOTICE/AVIS

For more information on this equipment, including circuit diagrams, parts and service manuals, and other descriptions, please contact MTI.

Pour plus d'informations sur cet équipement, y compris des schémas de circuits, les manuels de service et pièces, et autres descriptions, s'il vous plaît contacter MTI.

#	SYMPTOM	PROBLEM CAUSE	SOLUTION
1	Vacuum not working	No power.	Verify that the vacuum has power.
2	Vacuum has little or no suction	The filter(s) is/are plugged/full.	Replace the filter. See "Filter Installation" on page 5.
3	Vacuum has little or no suction	Hose has a kink.	Pull the hose out and check for any kinks.
4	Vacuum has little or no suction	Vacuum or vacuum lid is cracked or has a leak.	Check for cracks or leaks, replace if necessary.
5	Vacuum has little or no suction	Vacuum lid is not secure.	Check the vacuum lid to make sure that it is tightly secured on the vacuum.
6	Vacuum has little or no suction	Vacuum hose has a leak or is damaged.	Check the vacuum hose that runs from the vacuum for any cracks or holes and replace if needed.
7	The drill does not turn on	The drill is not plugged in.	Verify the drill is plugged into the outlet on the side of the vacuum or wall outlet.
8.	The drill does not turn on	The switch on the drill is off.	Turn the switch to on for the drill.

SPECIFICATIONS

DESCRIPTION	SPECIFICATION
Overall Height	13" (330 cm)
Overall Width	6" (152 cm)
Overall Depth	8" (203 cm)
Weight	7 lbs (3.2 kg)
Electrical Input/Power Consumption	115VAC/60hz, 9.6 amps



Strength in patient care.™

3655 W Ninigret Drive
Salt Lake City, Utah, 84104-6572
(800) 924-4655 • (801) 875-4999 • Fax (801) 952-0548
www.mti.net

© MTI, Inc. All rights reserved.
MTI reserves the right to make any
product changes without notice.

073166 Rev B