



Strength in patient care.™

EXAM CHAIRS & ACCESSORIES



U.S. & Canada 800 924.4655 | International 801 875.4999

mti.net



**MTI IS COMMITTED
TO CONTINUALLY
PRODUCE HIGH-QUALITY
AND COMPETITIVELY
PRICED PRODUCTS.**



MTI's History

Why MTI has "Strength in patient care."

When Jeff Baker founded Medical Technology Industries, Inc. (MTI Inc.), he had already worked in the healthcare field for over 26 years. His time as vice president of The HealthChair® Group's DMI® medical division, and years of experience in PDM®, The HealthChair® Group's podiatry division, prepared him for his new venture as he launched MTI in 1999.

Armed with the knowledge of his customers' needs and desires, Baker founded MTI to make and sell high-quality patient and physician oriented seating and cabinetry, along with other accessories. MTI designed its first podiatry chair the same year the company was founded, followed by a complete line of cabinetry and surgery chairs for otolaryngology.

MTI's success and rapid growth led to the construction in 2005 of a technology-rich 50,000 square-foot manufacturing facility. The building includes green technology, including computer-controlled high-efficiency cooling and heating systems, low-E glass windows, central plenum ceilings, and additional wall and ceiling insulation.

Always looking to the future, MTI is committed to continually produce high-quality and competitively priced products while remaining dedicated to customers, associates, and the community. MTI strives to remain at the forefront of the industry by employing qualified and well-trained associates, listening to customers' needs and desires, and never losing the thirst for success.

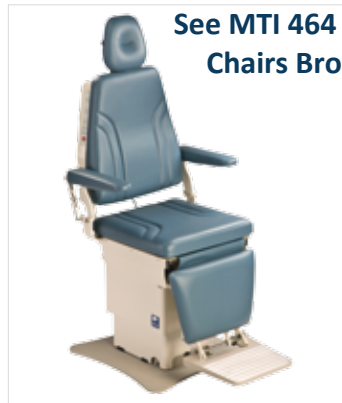




Why buy MTI?

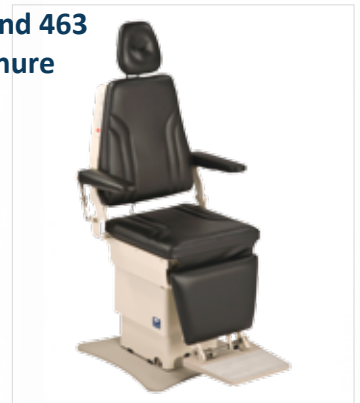
- PRODUCTS DESIGNED FOR THE SPECIALIST
- INDUSTRY LEADER
- RUGGED CONSTRUCTION
- SUPERIOR BASE DESIGN
- VELCRO®-ATTACHED UPHOLSTERY
- LOW-VOLTAGE OPERATION
- UNSURPASSED CUSTOMER SERVICE
- AFFORDABLE PRICE
- TECHNOLOGICALLY ADVANCED PRODUCTS
- CUSTOMER FOCUSED

Obsolete Product See MTI 464 and 463 Chairs Brochure



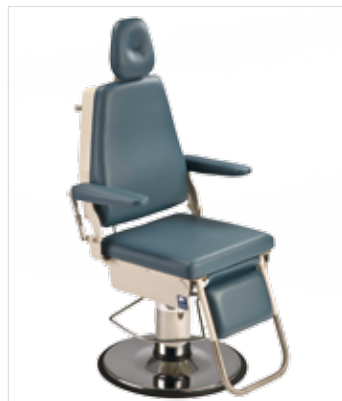
424 Power lift, coordinated back/footrest and tilt functions, DC motor technology, 340° swivel with electronic lock/unlock, flip-up footrest and flip-up/lock-down arms.

pg. 06



423 Power lift and coordinated back/footrest functions, DC motor technology, 340° swivel with electronic lock/unlock, flip-up footrest and flip-up/lock-down arms.

pg. 8



400 Manual hydraulic lift and manual back functions, 360° swivel, looped footrest and flip-up/lock-down arms.

pg. 24



MTC Series Cabinets
Mobile treatment cabinets are available in various drawer/door, height, depth, and color configurations.

pg. 28



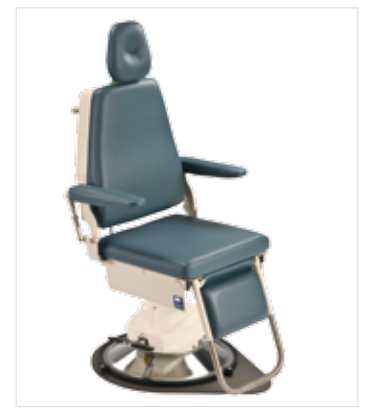
421 Power lift and manual coordinated back/footrest functions . DC motor technology. 340° swivel with electronic lock/unlock flip-up footrest and flip-up/lock-down arms.
pg. 10



421E Power hydraulic lift and manual coordinated back/footrest functions . 360° swivel, flip-up footrest and flip-up/lock-down arms.
pg. 16



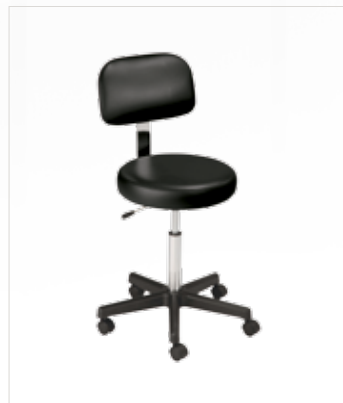
421M Manual hydraulic lift and manual coordinated back/footrest functions . 360° swivel, flip-up footrest and flip-up/lock-down arms.
pg. 18



401 Power hydraulic lift and manual back functions. 360° swivel, looped footrest and flip-up/lock-down arms.
pg. 22



Side Chairs Seat your patients and guests on MTI's comfortable side chairs.
pg. 28



Stools Hand and foot operated stools available in various styles.
pg. 29



LED Procedure Lights Four different LED procedure lights available to provide a wide array of lighting.
pg. 29



LED Exam Lights Three different LED models available in either a caster base, floor stand or chair-mounted versions.
pg. 30

424

**Obsolete Product
See MTI 464 and 463
Chairs Brochure**

MTI Model 424 Tri-Power Exam Chair

Power lift, tilt, and coordinated back and footrest functions

The 424 chair has a separate power tilt function that sets it apart from other sit-up type exam chairs. The independent power tilt provides the flexibility to better contour the patient for comfort. In the sitting position the tilt enables the operator to "rock" the patient backward to attain a more comfortable upright position. In combination with the coordinated power back/foot function, the chair can be positioned to 15 degrees of trendelenberg.

The 424 is available in either of two entry/operate heights, a high base "H" model, 21" (53.3cm) entry height with 16" (40.6 cm) of vertical rise and an ADA compliant low base "L" model, 19" (48.3 cm) entry height with 11.5" (29.2 cm) of vertical rise; which together outperform every other competitive power exam chair. With a 650 lbs. patient capacity, the 424 can lift even the heaviest of patients.

Standard features include: 24-volt low voltage DC motors, 11.5" (29.2 cm) or 16" (40.6 cm) vertical travel power lift base, coordinated power back/foot and independent power tilt, flip-up lock-down arms, cast aluminum compensating patient footrest, electrically operated lock/unlock swivel top, articulating headrest of choice, all steel frame and cushion substrates, designer or smooth Velcro®-attached upholstery in standard foams (optional Ultraleather™ with memory foam available), dual-side back mounted membrane switches with electronic swivel, two user-settable program positions, auto return, stop/cancel, and any button cancellation.

Also available in the LRX version with extended legrest. See image on page 12.





The 424 features flip-up lock-down arms that allow easy entry/exit by actuating the knee-flex arm linkage. Simply flip them back when your patient enters and exits the chair, and flip them down to provide them comfortable arm supports.



The footrest provides easy patient ingress and egress. It reclines as the foot is raised providing a true flat position. If needed, the footrest can be flipped up and will lock in the up position for frontal exams.



The 340-degree electronic swivel control is located on both sides of the backrest and can be activated with the press of a button and a recessed hand grip in the backrest provides a comfortable and easy swivel through 340-degrees, with one hand.



Positions from upright to contour, flat, and trendelenburg are easily attained with the three-power functions of the 424 chair.

424 features

- 19" (48.3 cm) or 21" (53.3 cm) entry height with 11.5" (29.2 cm) or 16" (40.6 cm) vertical travel power lift base, respectively
- Ultra quiet 24-volt low-voltage DC electric gear motors
- Power lift, tilt, and coordinated back and footrest functions
- 650 lbs. (295 kg) patient lift capacity
- 19.5" (49.5 cm) maximum width
- Flip-up lock-down arms
- All steel frame and cushion substrates
- Designer or smooth Velcro®-attached upholstery in standard foams (optional Ultraleather™ with memory foam available)
- Dual-side membrane switches with electronic swivel lock, two user-settable program positions, auto return, and emergency stop buttons
- Articulating headrest of choice
- Cast aluminum compensating patient footrest
- Fire barrier material option available to comply with California Technical Bulletin 133
- Listed to UL 60601-1, CAN/CSA C22.2 No. 601.1-M90, and IEC 60601-1

423

**Obsolete Product
See MTI 464 and 463
Chairs Brochure**

MTI Model Dual-Power Exam Chair

Power lift and coordinated back and footrest functions

The 423 chair sets the standard for traditional dual-power upright exam chairs as it moves smoothly and rapidly from a sit-up chair position to a flat position with footrest extended using the coordinated power back/foot function.

The 423 is available in either of two entry/operate heights, a high base "H" model, 21" (53.3 cm) entry height with 16" (40.6 cm) of vertical rise and an ADA compliant low base "L" model, 19" (48.3 cm) entry height with 11.5" (29.2 cm) of vertical rise, which together outperform every other competitive dual power exam chair. With a 650 lbs. patient capacity, the 423 can lift even the heaviest of patients.

Standard features include: 24-volt low voltage DC motors, 11.5" (29.2 cm) or 16" (40.6 cm) vertical travel power lift base, coordinated power back/foot, flip-up lock-down arms, cast aluminum compensating patient footrest, electrically operated lock/unlock swivel, articulating headrest of choice, all steel frame and cushion substrates, designer or smooth Velcro®-attached upholstery in standard foams (optional Ultraleather™ with memory foam available), dual-side back mounted membrane switches with electronic swivel lock/unlock feature, two user-settable program positions, auto return, stop/cancel, and any button cancellation. Positions from upright to contour and flat are easily attained with the two-power functions of the 423 chair.



Also available in the LRX version with extended legrest. See image on page 12.



The 423 features flip-up lock-down arms that allow easy entry/exit by actuating the knee-flex arm linkage. Simply flip them back when your patient enters and exits the chair, and flip them down to provide them comfortable arm supports.



The footrest provides easy patient ingress and egress. It reclines as the foot is raised providing a true flat position. If needed, the footrest can be flipped up and will lock in the up position for frontal exams.



The 340-degree electronic swivel control is located on both sides of the backrest and can be activated with the press of a button and a recessed hand grip in the backrest provides a comfortable and easy swivel through 340-degrees, with one hand.



Positions from upright to contour and flat are easily attained with the two-power functions of the 423 chair.

423 features

- 19" (48.3 cm) or 21" (53.3 cm) entry height with 11.5" (29.2 cm) or 16" (40.6 cm) vertical travel power lift base, respectively
- Ultra quiet 24-volt low-voltage DC electric gear motors
- Power lift and coordinated back and footrest functions
- 650 lbs. (295 kg) patient lift capacity
- 19.5" (49.5 cm) maximum width
- Flip-up lock-down arms
- All steel frame and cushion substrates
- Designer or smooth Velcro®-attached upholstery in standard foams (optional Ultraleather™ with memory foam available)
- Dual-side membrane switches with electronic swivel lock, two user-settable program positions, auto return, and emergency stop buttons
- Articulating headrest of choice
- Cast aluminum compensating patient footrest
- Fire barrier material option available to comply with California Technical Bulletin 133
- Listed to UL 60601-1, CAN/CSA C22.2 No. 601.1-M90, and IEC 60601-1

421

MTI Model 421 Single Power Exam Chair

Power lift and manual coordinated back and footrest functions

The 421 chair uses a manual back for a quick and smooth recline to the flat position with footrest extended, while still offering all the quality of MTI's full feature chairs.

The precision gas spring counterbalances the patient in recline and aids the operator in returning patients to the upright position. The back mounted handle release is readily accessible from both sides of the chair back and is actuated in either an up or down direction for a smooth recline or raise, while coordinating the movement of the back and the footrest.

The 421 is available in either of two entry/operator heights, a high base "H" model, 21" (533 cm) entry height with 16" (406 cm) of vertical rise and an ADA compliant low base "L" model, 19" (483 cm) entry height with 11.5" (292 cm) of vertical rise, which together outperform every other competitive manual back power lift exam chair. With a 650 lbs. patient capacity, the 421 can lift even the heaviest of patients.

Standard features include: 24-volt low voltage DC motors, 11.5" (292 cm) or 16" (406 cm) vertical travel power lift base, coordinated manual back/foot, flip-up lock-down arms, cast aluminum compensating patient footrest, electrically operated lock/unlock swivel, articulating headrest of choice, all steel frame and cushion substrates, designer or smooth Velcro®-attached upholstery in standard foams (optional Ultraleather™ with memory foam available), dual-side back mounted membrane switches with electronic swivel lock/unlock feature, two user-settable program positions, auto return, stop/cancel, and any button cancellation.





The 421 features flip-up lock-down arms that allow easy entry/exit by actuating the knee-flex arm linkage. Simply flip them back when your patient enters and exits the chair, and flip them down to provide them comfortable arm supports.



The footrest provides easy patient ingress and egress. It reclines as the foot is raised providing a true flat position. If needed, the footrest can be flipped up and will lock in the up position for frontal exams.



The 340-degree electronic swivel control is located on both sides of the backrest and can be activated with the press of a button and a recessed hand grip in the backrest provides a comfortable and easy swivel through 340-degrees, with one hand.



Positions from upright to contour and flat are easily attained with the manual back power lift functions of the 421 chair.

421 features

- 19" (48.3 cm) or 21" (53.3 cm) entry height with 11.5" (29.2 cm) or 16" (40.6 cm) vertical travel power lift base, respectively
- Ultra quiet 24-volt low-voltage DC electric gear motors
- Power lift and manual coordinated back and footrest functions
- 650 lbs. (295 kg) lifting capacity
- 19.5" (49.5 cm) maximum width
- Flip-up lock-down arms
- Footrest extension adjustment with dual locks
- All steel frame and cushion substrates
- Designer or smooth Velcro®-attached upholstery in standard foams (optional Ultraleather™ with memory foam available)
- Dual-side membrane switches with electronic swivel lock, two user-settable program positions, auto return, and emergency stop buttons
- Articulating headrest of choice
- Cast aluminum compensating patient footrest
- Fire barrier material option available to comply with California Technical Bulletin 133
- Listed to UL 60601-1, CAN/CSA C22.2 No. 601.1-M90, and IEC 60601-1

424/423/421

MTI Model 424/423/421 Single Power Exam Chair Specifications

Maximum lifting capacity:	650 lbs (295 kg)
Minimum seat height:	Low Model: 19" (48.3 cm) High Model: 21" (53.3 cm)
Maximum seat height:	Low Model: 30.5" (77.5 cm) High Model: 37" (94 cm)
Max. vertical elevation:	Low Model: 11.5" (29.2 cm) High Model: 16" (40.6 cm)
Maximum Trendelenburg:	15° (424 only)
Foot Section:	18" tapering to 12" wide x 23" long (45.7 cm x 58.4 cm) LRX: 19" tapering to 13" x 21" long
Seat Section:	19.5" wide x 19" long (49.5 cm x 48 cm)
Back Section:	19" tapering to 13" wide x 21" long (48cm x 53.3 cm)
Electrical:	115/60, 4 amps 230/50, 2 amps
Chair weight:	424: 322 lbs (146 kg) 424-LRX: 308 lbs (140 kg) 423: 306 lbs (139 kg) 423-LRX: 292 lbs (132 kg) 421: 314 lbs (142 kg)

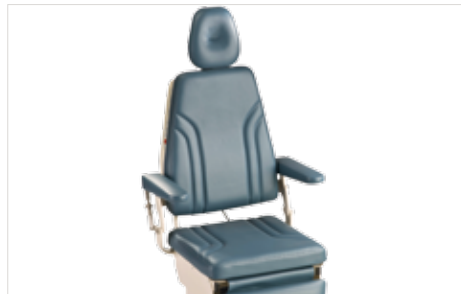
*Listed to UL 60601-1, CAN/CSA C22.2 No. 6011-M90,
and IEC 60601-1

†International weights and dimensions may vary.

424/423/421 Chair Accessories



Smooth Upholstery Kit. Available in Premium upholstery or optional PVC free Ultraleather™ upholstery with memory foam.



Designer Upholstery Kit. Available in Premium upholstery or optional PVC free Ultraleather™ upholstery with memory foam.

LRX Version

The 424 and 423 are available in an LRX version, which feature an extended leg rest for superior patient comfort in the prone or supine position.



Industry-Leading 650 lb. Lift Capacity

MTI power exam chairs feature an impressive, industry-leading 650 lb. patient lift capacity designed to accommodate any patient and meet the most demanding procedural needs.



(Photo has not been edited)

Power Exam Chair Accessories



Back-Mounted LED Exam Light

The optional back-mounted Lumerus LED light features an adjustable goose neck and articulating head, dimming switch, 70,000 hour rated LEDs, and a 1-year limited warranty.



Auto Swivel Disengagement Kit



Mayo tray with or without light adapter



18" Paper Roll Holder



TB133 Upgrade to meet California Technical Bulletin 133



LED Back Mounted Light



Power Cord, 3' with 90-degree plug

Foot Control Options



Tri power programmable foot control (424 only)



Dual power programmable foot control (423 only)



Single power programmable foot control (421 only)

Headrest Options



Oval Articulating Headrest
(9'h x 8'w)



Deep Oval Articulating Headrest
(9'h x 8'w)



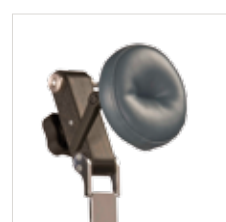
Prosthetic Articulating Headrest
(4'h x 8'w)



Horseshoe Articulating Headrest
(10'h x 10.5'w)



Rectangular Articulating Headrest
(8'h x 12'w)



Round Articulating Headrest
(6" diameter)



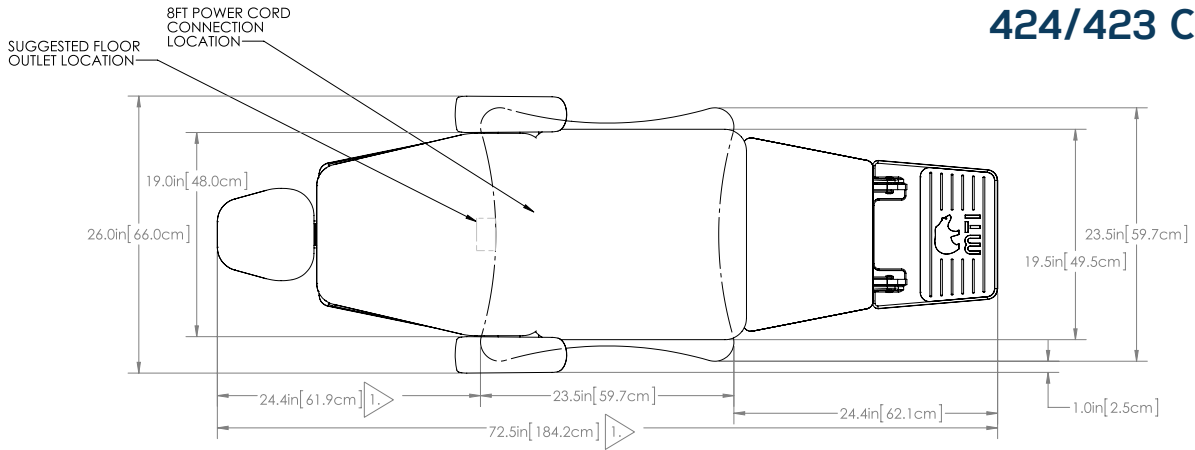
Oval Non-Articulating Headrest
(9'h x 8'w)



Rectangular Non-Articulating Headrest
(8'h x 12'w)

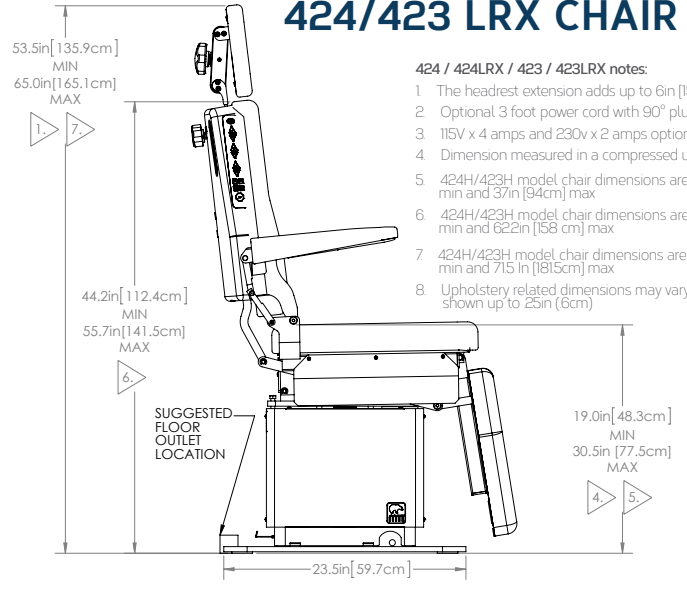
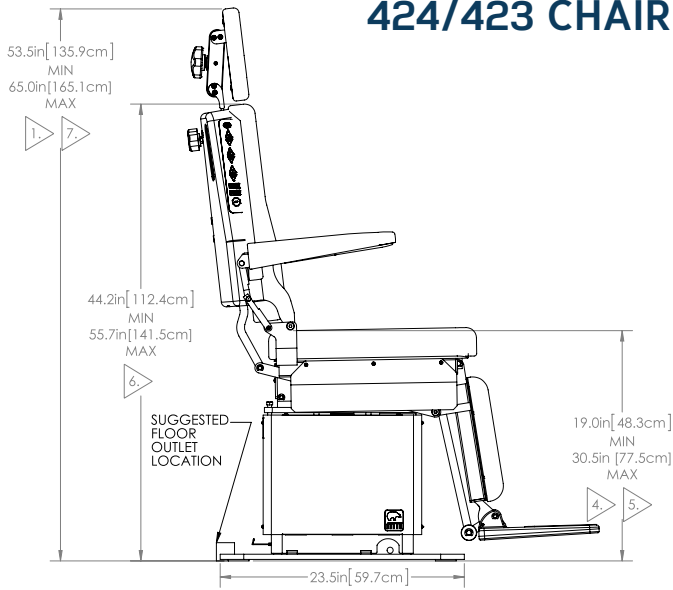
424/423 Chair Floor Layout

424/423 CHAIR



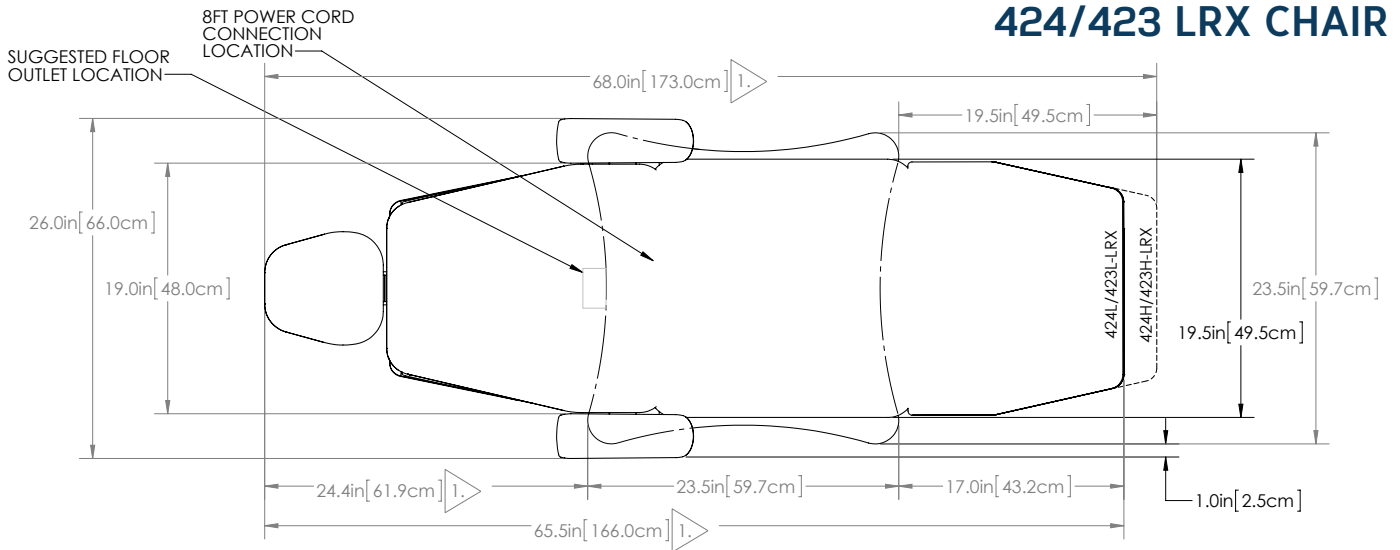
424/423 CHAIR

424/423 LRX CHAIR

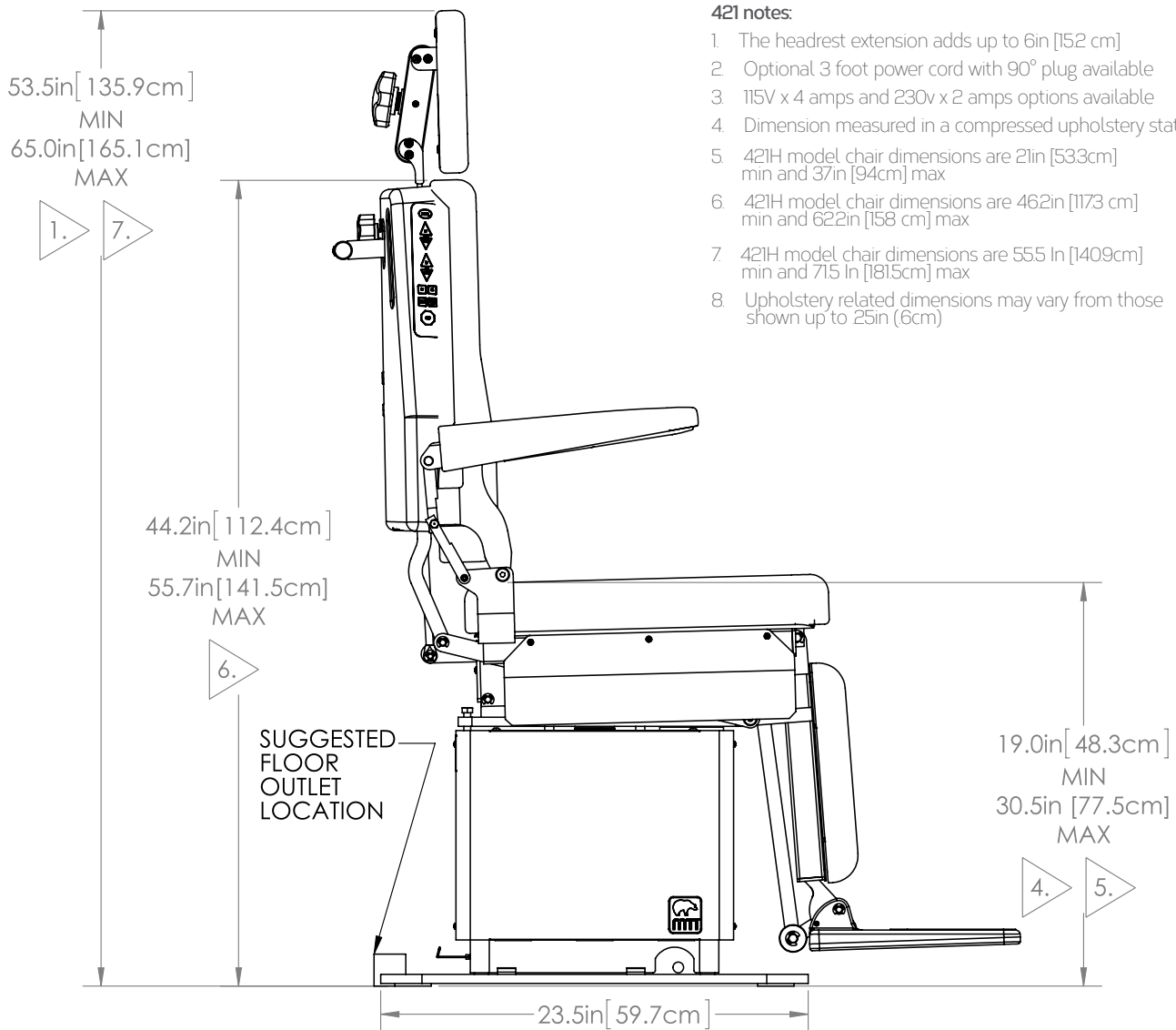
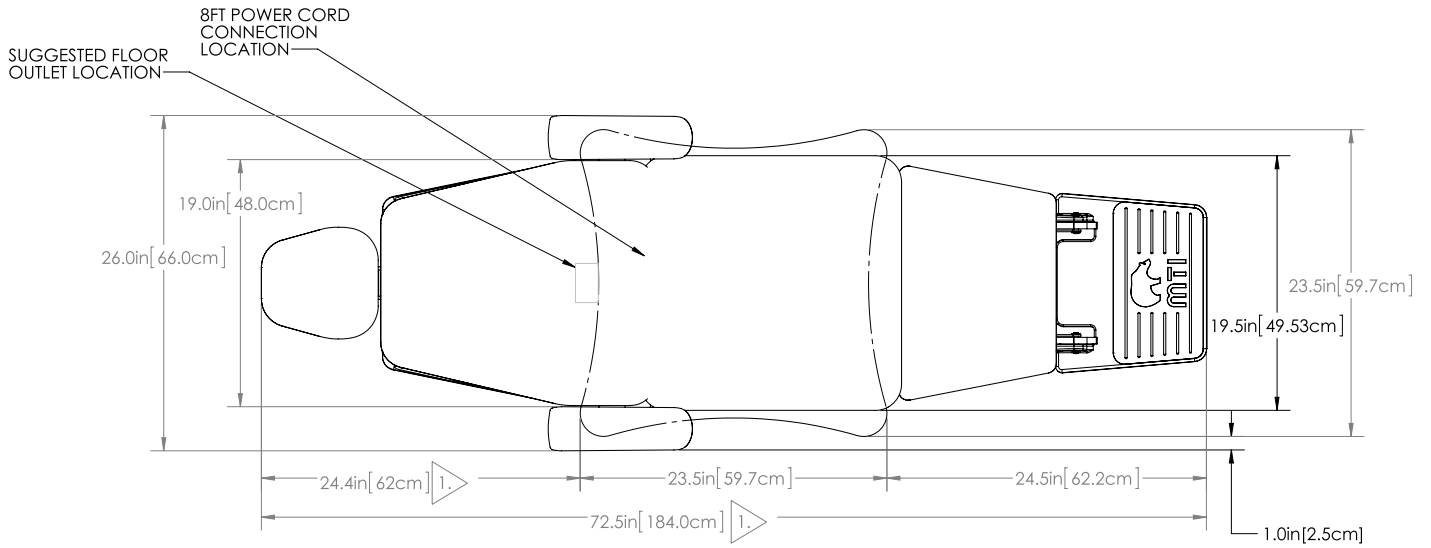


- 424 / 424LRX / 423 / 423LRX notes:**
1. The headrest extension adds up to 6in [152 cm]
 2. Optional 3 foot power cord with 90° plug available
 3. 115V x 4 amps and 230v x 2 amps options available
 4. Dimension measured in a compressed upholstery state
 5. 424H/423H model chair dimensions are 21in [533cm] min and 37in [94cm] max
 6. 424H/423H model chair dimensions are 46.2in [1173 cm] min and 62.2in [158 cm] max
 7. 424H/423H model chair dimensions are 55.5 in [1409cm] min and 71.5 in [1815cm] max
 8. Upholstery related dimensions may vary from those shown up to 2.5in (6cm)

424/423 LRX CHAIR



421 Chair Floor Layout



421 notes:

1. The headrest extension adds up to 6in [152 cm]
2. Optional 3 foot power cord with 90° plug available
3. 115V x 4 amps and 230v x 2 amps options available
4. Dimension measured in a compressed upholstery state
5. 421H model chair dimensions are 21in [533cm] min and 37in [94cm] max
6. 421H model chair dimensions are 462in [1173 cm] min and 622in [158 cm] max
7. 421H model chair dimensions are 555 In [1409cm] min and 715 In [1815cm] max
8. Upholstery related dimensions may vary from those shown up to 25in (6cm)

421E

MTI Model 421E Hydraulic Power Exam Chair with Flip-Up Footrest

Power hydraulic lift and manual coordinated back and footrest functions

The 421E chair uses a manual back for a quick and smooth recline to the flat position with footrest extended and a more cost-effective electro-hydraulic power base, while still offering all the quality of MTI's full feature chairs.

The precision gas spring counterbalances the patient in recline and aids the operator in returning patients to the upright position. The back mounted handle release is readily accessible from both sides of the chair back and is actuated in either the up or down directions for a smooth recline or raise, while coordinating the movement of the back and the footrest. The electro-hydraulic 8" (203 cm) lift and swivel lock are operated by pedals located on the side of the base.

Standard features include: Foot operated electro-hydraulic power base, ADA compliant 19" (483 cm) entry height, coordinated manual back/foot, flip-up lock down arms, cast aluminum compensating patient footrest, foot operated brake of the swivel top, articulating headrest of choice, all steel frame and cushion substrates, designer or smooth Velcro®-attached upholstery in standard foams (optional Ultraleather™ with memory foam available), and foot operated raise/lower function.





The 421E features flip-up lock-down arms that allow easy entry/exit by actuating the knee-flex arm linkage. Simply flip them back when your patient enters and exits the chair, and flip them down to provide them comfortable arm supports.



The electro-hydraulic B' lift and swivel brake are operated by pedals located on the side of the base and a recessed hand grip in the backrest provides a comfortable and easy swivel through 360-degrees.



The footrest provides easy patient ingress and egress. It reclines as the foot is raised providing a true flat position. If needed, the footrest can be flipped up and will lock in the up position for frontal exams.



Positions from upright to contour and flat are easily attained with hydraulic power lift and manual back functions of the 421E Chair.

421E features

- 19" (48.3 cm) entry height with 8" (20.3 cm) power hydraulic lift base
- Ultra quiet 115 volt hydraulic power lift
- Foot operated power hydraulic lift and manual coordinated back and footrest functions
- 350 lbs. (158 kg) lifting capacity
- 19.5" (49.5 cm) maximum width
- Flip-up lock-down arms
- All steel frame and cushion substrates
- Designer or smooth Velcro®-attached upholstery in standard foams (optional Ultraleather™ with memory foam available)
- Articulating headrest of choice
- Cast aluminum compensating patient footrest
- Fire barrier material option available to comply with California Technical Bulletin 133

421M

MTI Model 421M Manual Base Exam Chair with Flip-Up Footrest

Manual hydraulic lift and manual coordinated back/footrest functions

The 421M chair uses a manual back for a quick and smooth recline to the flat position with footrest extended and an even more cost-effective manual pump hydraulic base, while still offering all the quality of MTI's full feature chairs.

The precision gas spring counterbalances the patient in recline and aids the operator in returning patients to the upright position. The back mounted handle release is readily accessible from both sides of the chair back and is actuated in either the up or down directions for a smooth recline or raise, while coordinating the movement of the back and the footrest. The manual pump hydraulic 8" (203 cm) lift and swivel lock are operated by a bar located on the side of the base.

Standard features include: Foot operated manual pump base, 19" (48.3 cm) entry height, coordinated manual back/foot, flip-up lock-down arms, cast aluminum compensating patient footrest, foot operated brake of the swivel top, non-articulating headrest of choice, all steel frame and cushion substrates, smooth Velcro®-attached upholstery in standard foams (optional Ultrather™ with memory foam available), and foot operated raise/lower function.





The 421M features flip-up lock-down arms that allow easy entry/exit by actuating the knee-flex arm linkage. Simply flip them back when your patient enters and exits the chair, and flip them down to provide them comfortable arm supports.



The manual hydraulic 8" lift and swivel brake are operated by a bar located on the side of the base and a recessed hand grip in the backrest provides a comfortable and easy swivel through 360-degrees.



The footrest provides easy patient ingress and egress. It reclines as the foot is raised providing a true flat position. If needed, the footrest can be flipped up and will lock in the up position for frontal exams.



Positions from upright to contour and flat are easily attained with manual lift and back functions of the 421M Chair.

421M features

- 19" (48.3 cm) entry height with 8" (20.3 cm) vertical travel lift base
- Foot operated manual pump base and manual coordinated back and foot functions
- 250 lbs. (113 kg) lifting capacity
- 19.5" (49.5 cm) maximum width
- Flip-up lock-down arms
- All steel frame and cushion substrates
- Designer or smooth Velcro®-attached upholstery in standard foams (optional Ultraleather™ with memory foam available)
- Non-articulating headrest of choice
- Cast aluminum compensating patient footrest
- Fire barrier material option available to comply with California Technical Bulletin 133

421E/421M

MTI Model 421E/421M Manual Base Exam Chair Specifications

Maximum lifting capacity:	421M: 250 lbs. (113 kg) 421E: 350 lbs. (158 kg)
Minimum seat height:	19" (48.3 cm)
Maximum seat height:	27" (68.6 cm)
Max. vertical elevation:	8" (20 cm)
Foot Section:	18" tapering to 12" wide x 23" long (45.7 cm x 58.4 cm)
Seat Section:	19.5" wide x 19" long (49.5 cm x 48 cm)
Back Section:	19" tapering to 13" wide x 21" long (48 cm x 53.3 cm)
421E Electrical:	115/60, 2.78 amps
Chair weight:	421E: 181 lbs (82 kg) 421M: 148 lbs (67 kg)

†International weights and dimensions may vary.

421E/421M Chair Accessories



Smooth Upholstery Kit. Available in Premium upholstery or optional PVC free Ultraleather™ upholstery with memory foam.



Designer Upholstery Kit. Available in Premium upholstery or optional PVC free Ultraleather™ upholstery with memory foam.

Back-Mounted LED Exam Light

The optional back-mounted Lumerus LED light features an adjustable goose neck and articulating head, dimming switch, 70,000 hour rated LEDs, and a 1-year limited warranty.



Tear Drop Stabilizer Plate

Add extra weight to your chair by using the optional tear drop plate providing even more stability to the chair.



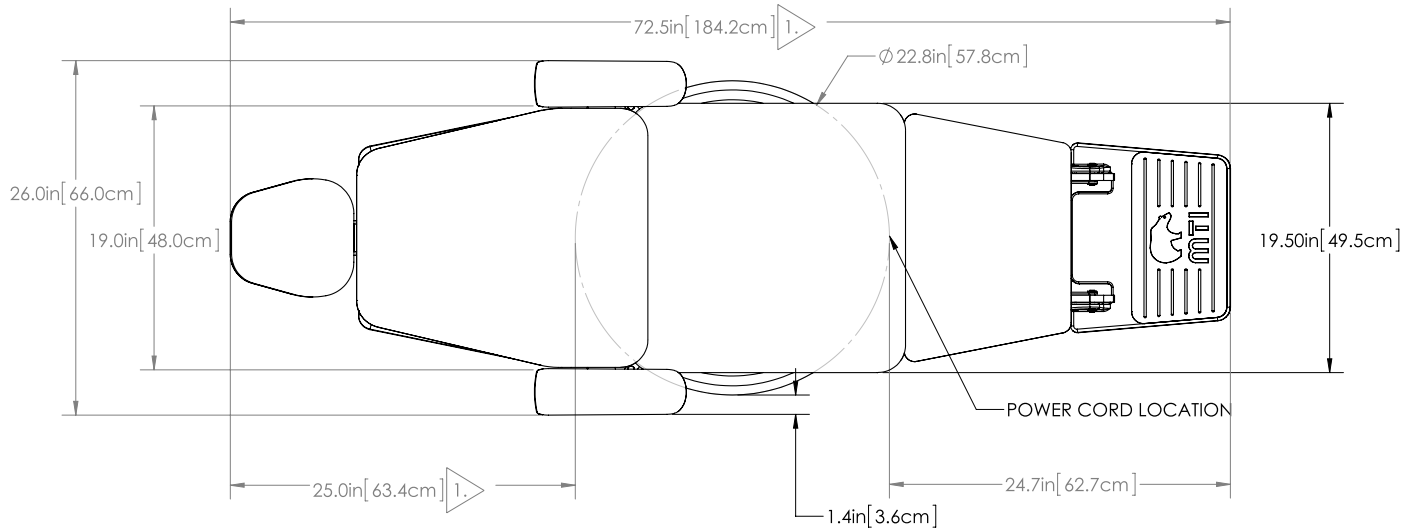
TB133 Upgrade

Meets California Technical Bulletin 133

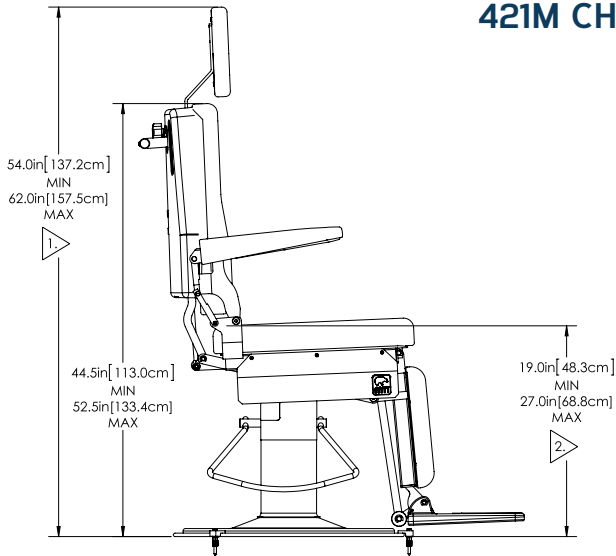


18" Paper Roll Holder

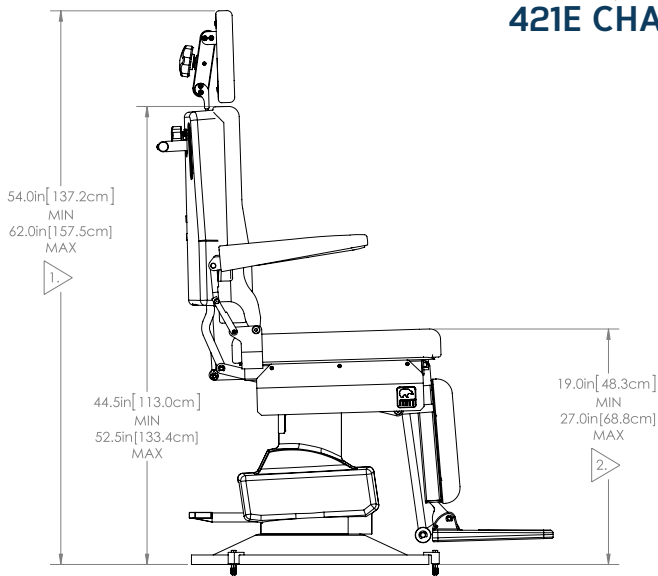
421E/421M Chair Floor Layout



421M CHAIR



421E CHAIR



421E/421M notes:

1. The headrest extension adds up to 6in [152 cm]
2. Dimension measured in a compressed upholstery state
3. 115V x 4 amps and 230v x 2 amps options available (421E only)
4. Upholstery related dimensions may vary from those shown up to 25in (6cm)

401

MTI Model 401 Hydraulic Power Base Exam Chair

Power hydraulic lift and
manual back functions

The 401 uses a manual back for a quick and smooth recline to the flat position and a more cost-effective electro-hydraulic power base, while still offering all the quality of MTI's full feature chairs.

The precision gas spring counterbalances the patient in recline and aids the operator in returning patients to the upright position. The back mounted handle release is readily accessible from both sides of the chair back and is actuated in either the up or down directions for a smooth recline or raise. The electro-hydraulic 8" (203 cm) lift and swivel lock are operated by pedals located on the side of the base.

Standard features include: Foot operated electro-hydraulic power base, 19" (48.3 cm) entry height, manual back, flip-up lock-down arms, heavy gauge stainless steel loop footrest, foot operated lock/unlock of the swivel top, non-articulating headrest of choice, all steel frame and cushion substrates, smooth Velcro®-attached upholstery in Premium colors, and foot operated raise/lower function.





The 401 features flip-up lock-down arms that allow easy entry/exit by actuating the knee-flex arm linkage. Simply flip them back when your patient enters and exits the chair, and flip them down to provide them comfortable supports.



The electro-hydraulic 8' lift and swivel lock are operated by pedals located on the side of the base and a recessed hand grip in the backrest provides a comfortable and easy swivel through 360-degrees.



Positions from upright to contour and flat are easily attained with hydraulic power lift and manual back functions of the 401 Chair.

401 features

- 19" (48.3 cm) entry height with 8" (20.3 cm) vertical travel lift base
- Ultra quiet 115 volt hydraulic power lift
- Power lift, manual back and coordinated footrest functions Manual lift and coordinated back functions
- Heavy gauge stainless steel loop footrest
- 350 lbs. (158 kg) lifting capacity
- 19.5" (49.5 cm) maximum width
- Flip-up lock-down arms
- All steel frame and cushion substrates
- Smooth upholstery kit available in Premium upholstery colors
- Non-articulating headrest of choice
- Fire barrier material option available to comply with California Technical Bulletin 133

400

MTI Model 400 Manual Base Exam Chair

Manual hydraulic lift and manual back functions

The 400 manual exam chair is MTI's most basic exam chair, but stands above all competitive chairs. The 400 chair uses a manual back for a quick and smooth recline to the flat position and an even more cost-effective manual pump hydraulic base, while still offering all the quality of MTI's full feature chairs.

The precision gas spring counterbalances the patient in recline and aids the operator in returning patients to the upright position. The back mounted handle release is readily accessible from both sides of the chair back and is actuated in either the up or down directions for a smooth recline or raise. The manual pump hydraulic 8" (203 cm) lift and swivel lock are operated by a bar located on the side of the base.

Standard features include: Foot operated manual pump base, 19" (48.3 cm) entry height, manual back, flip-up lock-down arms, heavy gauge stainless steel looped footrest, foot operated lock/unlock of the swivel top, non-articulating headrest of choice, all steel frame and cushion substrates, smooth Velcro®-attached upholstery in Premium colors and foot operated raise/lower function.





The 400 features flip-up lock-down arms that allow easy entry/exit by actuating the knee-flex arm linkage. Simply flip them back when your patient enters and exits the chair, and flip them down to provide them comfortable supports.



The manual hydraulic 8" lift and swivel lock are operated by a bar located on the side of the base and a recessed hand grip in the backrest provides a comfortable and easy swivel through 360-degrees.



Positions from upright to contour and flat are easily attained with manual lift and back functions of the 400 Chair.

400 features

- 19" (48.3 cm) entry height with 8" (20.3 cm) vertical travel lift base
- Foot operated manual pump base and manual back functions
- Heavy gauge stainless steel loop footrest
- Power lift, back, tilt and foot functions
- 250 lbs. (113 kg) lifting capacity
- 19.5" (49.5 cm) maximum width
- Flip-up lock-down arms
- All steel frame and cushion substrates
- Smooth upholstery kit available in Premium upholstery colors
- Non-articulating headrest of choice
- Fire barrier material option available to comply with California Technical Bulletin 133

401/400

MTI Model 401/400 Hydraulic Base Exam Chair Specifications

Maximum lifting capacity:	Model 401: 350 lbs. (158 kg) Model 400: 250 lbs. (113 kg)
Minimum seat height:	19" (48.3 cm)
Maximum seat height:	27" (68.6 cm)
Max. vertical elevation:	8" (20 cm)
Seat Section:	19.5" wide x 19" long (49.5 cm x 48 cm)
Back Section:	19" tapering to 13" wide x 21" long (48 cm x 53.3 cm)
Electrical:	115/60, 2.78 amps
Chair weight:	401: 170 lbs (77 kg) 400: 137 lbs (62 kg)

401/400 Chair Accessories

Back-Mounted LED Exam Light

The optional back-mounted Lumerus LED light features an adjustable goose neck and articulating head, dimming switch, 70,000 hour rated LEDs, and a 1-year limited warranty.



Tear Drop Stabilizer Plate

Add extra weight to your chair by using the optional tear drop plate providing even more stability to the chair.



TB133 Upgrade

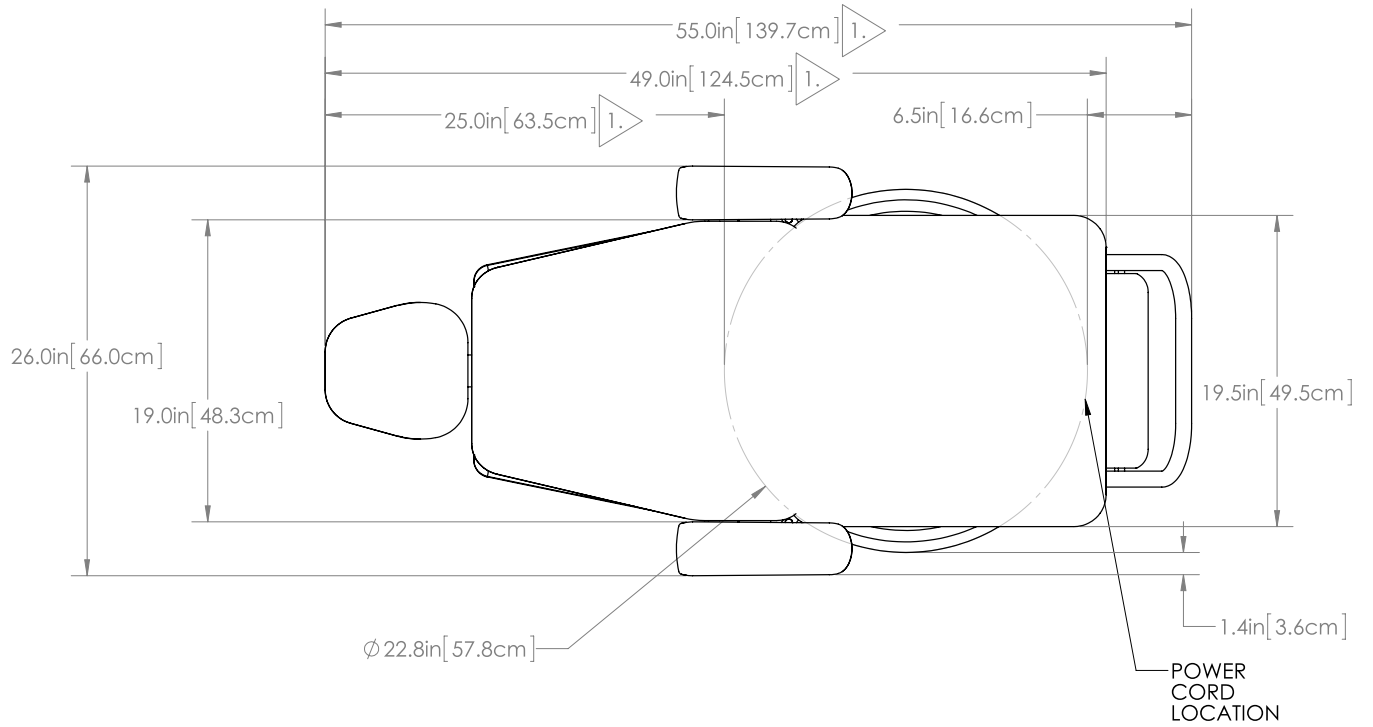
Meets California Technical Bulletin 133

Paper Roll Holder

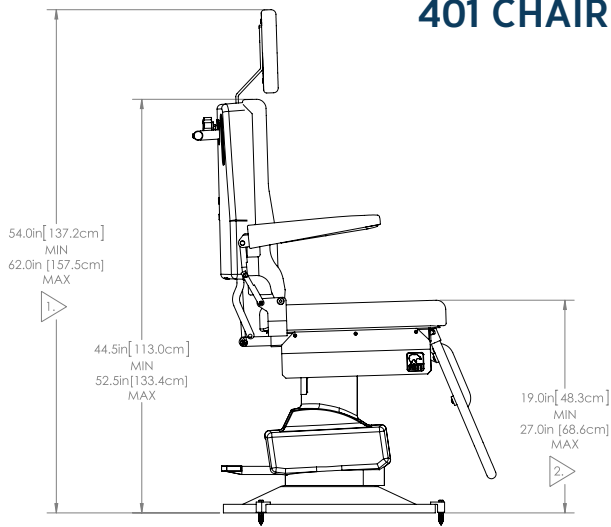
Add an optional paper roll holder for 18" paper for comfort and convenience, while protecting your chair.



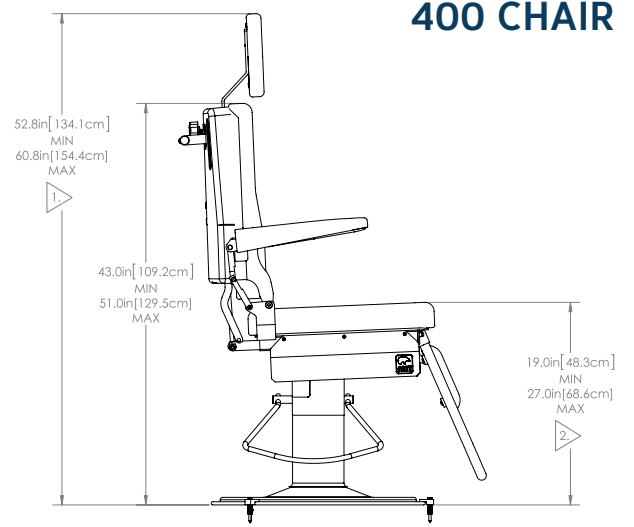
401/400 Chair Floor Layout



401 CHAIR



400 CHAIR



401/400 notes:

1. The headrest extension adds up to 6in [152 cm]
2. Dimension measured in a compressed upholstery state
3. Upholstery related dimensions may vary from those shown up to 25in (6cm)

Mobile Treatment Cabinets

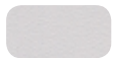
The MTI MTC Series of cabinets feature European styling with appealing rounded side panel edges and molded handles, premium industrial wood components and Wilsonart Crystal color laminate outside and melamine laminated inside.

Standard features include: Choice of 22" (559 cm) deep or 18" (457 cm) deep counter top*, four hard rubber casters, laminate inside and out, European drawer construction and hinge hardware, 3 mm drawer/door edge molding, resilient counter top edge guard, choice of Crystal or Black counter top and backwall, and choice of one of MTI's seven Standard Laminate Cabinet colors for the doors and drawers.

Other options are available such as lift up shelf, recessed dirty instrument trays, drawer locks, and more.



Optional 3 and 4 cavity plastic molded drawer inserts available.



Crystal



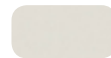
Brittany Blue



Shadow



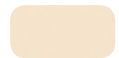
Dove Grey



Grey



Sangaree



Light Beige



MTC-1

The MTC-1 is a 33.5" (851 cm) high and 24" (61 cm) wide mobile treatment cabinet with five drawers and a 4" (102 cm) backsplash



MTC-A

The MTC-A is a 33.5" (851 cm) high and 24" (61 cm) wide mobile treatment cabinet with three drawers, two doors and a 4" (102 cm) backsplash



MTC-B

The MTC-B is a 41" (1041 cm) high and 24" (61 cm) wide mobile treatment cabinet with four drawers, two doors and a 4" (102 cm) backsplash

Side Chairs

The MTI 301 Side Chair without arms and the MTI 302 Side Chair with arms complete your office in the same or a different decor than your other MTI exam room furniture. Available in MTI's Premium Upholstery and Ultraleather™ material as well as special colors and fabrics. Also available in TB133 construction to meet CAL133 requirements.

- Contoured seat and backrest for a comfortable and sturdy support
- Adjustable leveling feet
- Legs that kickback, preventing the chair from damaging the wall
- Black steel tubular frame
- 400 lb (181.4 kg) weight capacity



302 Side Chair with Arms



301 Side Chair without arms

Physician/Assistant Seating

Many seating chairs and options are available. Please see additional brochure for physician and assistant seating.



320 Pneumatic hand operated stool with black base and no backrest

321 Pneumatic hand operated stool with black base and ergonomic backrest



322 Pneumatic hand operated stool with chrome base and no backrest

323 Pneumatic hand operated stool with chrome base and ergonomic backrest

324 Pneumatic hand operated stool with chrome base and curved body support



325 Pneumatic foot operated stool with chrome base and no backrest

326 Pneumatic foot operated stool with chrome base and ergonomic backrest

327 Pneumatic foot operated stool with chrome base and curved body support



328 Hydraulic foot pump operated stool and no backrest

329 Hydraulic foot pump operated stool with ergonomic backrest

330 Hydraulic foot pump operated stool with curved body support

331 Hydraulic foot pump operated stool with ergonomic backrest and twin arms

LED Lights



System Two LED Surgery Light*

- 25.5" diameter (648 mm) light head
- 130,000 lux output at 1 meter
- 5 stage dimming control from a sterile handle
- 9" (229 mm) - 14" (356 mm) adjustable light pattern
- 4,200° (+/-300) Kelvin color temperature
- 60 LED's rated at 50,000 hours
- Voltage is 100-240V



MI 1000 LED Procedure Light*

- 16" (406 mm) diameter light head
- 100,000 lux output at 1 meter
- 5 stage dimming control from a sterile handle
- On/Off button on sterile handle
- 4,300° Kelvin color temperature
- 36 LED's rated at 50,000 hours
- Voltage is 100-240V



MI 750 LED Procedure Light*

- 14.5" (368 mm) diameter light head
- 50,000 lux output at 1 meter
- 3 stage dimming control from a sterile handle
- On/Off button on sterile handle
- 4,300° Kelvin color temperature
- 12 LED's rated at 50,000 hours
- Voltage is 100-240V



MI 500 LED Exam Light*

- 6" (150 mm) diameter flood pattern at 24" (610 mm)
- 43,000 lux output at 24" (610 mm)
- 4,300° Kelvin color temperature at 24" (610 mm)
- 8 LED's rated at 50,000 hours
- Voltage is 100-240V

*3-year parts limited warranty

Green Lights

The benefits of energy-efficient lighting.

LEDs are much more energy efficient, using up to 50% less power than halogen lights and reducing cost for practices and hospitals.

- Lower electricity bills
- Improve lighting quality and worker productivity
- Reduce maintenance and replacement costs with long life
- Contribute to a cleaner, safer environment
- Produce nearly no heat for greater patient/professional comfort

According to the EPA, if energy-efficient lighting was used everywhere it was profitable, electricity demands for lighting would be reduced by 50 percent and aggregate national electricity requirements would be cut by 10 percent. Energy savings would exceed \$12 billion a year while decreasing air pollution by five percent. This would be equivalent to taking 15 million cars off the road, resulting in less smog, acid rain and a slowing of global climate change. (www.energystar.gov)



Lumerus™

Clarus 4™

Clarus 7™



Lumerus™

- Head size of 2.25" (5.7 cm)
- 70,000 hour rated LEDs
- 4,100° K ±300° K
- Light Intensity @ 16" (406 cm): 24,800 lux (2,300 fc)
- Dimmer Switch
- Spot Size @ 16" (406 cm): 5" (12.7 cm) dia
- 1-year limited warranty



Clarus 4™

- Head size of 3" (7.6 cm)
- 40,000 hour rated LEDs
- 4,300° K ±300° K
- Light Intensity @ 12" (305 cm): 21,500 lux (2,000 fc)
- Dimmer Switch
- Spot Size @ 12" (305 cm): 3" (7.6 cm) dia
- 1-year limited warranty



Clarus 7™

- Head size of 3.5" (8.9 cm)
- 40,000 hour rated LEDs
- 4,300° K ±300° K
- Light Intensity @ 16" (406 cm): 33,400 lux (3,100 fc)
- Dimmer Switch
- Spot Size @ 16" (406 cm): 8" (20.3 cm) dia
- 1-year limited warranty



Each light is available in a caster base and floor stand version.



[OUR MISSION]

MTI is committed to producing high-quality and competitively priced products for the markets we serve while being dedicated to our customers, associates, and community. We seek to be the best in our industry and will always strive to do so by employing qualified and trained associates, listening to our customers' needs and desires, and never losing our thirst for success.



3655 W Ninigret Drive
Salt Lake City, Utah, 84104-6572
(800) 924-4655 | (801) 875-4999 | Fax (801) 952-0548 | www.mti.net



© MTI, Inc. All rights reserved. | MTI reserves the right to make any product changes without notice.
071041 Rev D (03/16)