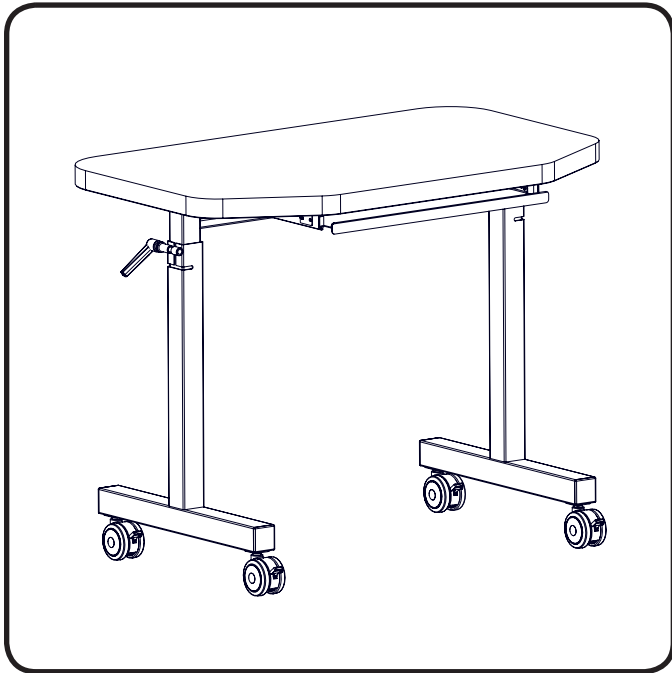


Instruction Guide | OSIT Table

U.S. & Canada (888) 520-4998 | International (801) 875-4998 | www.mti.net



WARNING/AVERTISSEMENT

Read this manual before installation and use.

Lisez ce manuel avant l'installation et l'utilisation.

Required Tools

none

This manual is for the following part numbers:

PART NUMBER	DESCRIPTION
7000010-XXX	OSIT-1000 Instrument Table w/o Tray, Laminate Top
7000011-XXX	OSIT-1001 Instrument Table w/Tray, Laminate Top
7000066-XXX	OSIT-2000 Instrument Table w/o Tray, Solid Surface
7000067-XXX	OSIT-2001 Instrument Table w/Tray, Solid Surface Top

REVISION HISTORY TABLE

DATE	REVISION	CO#/ECO#	DETAILS
5/3/2016	A	CO-0066/EC-0310	Initial release
12/06/2019	B	CO-0187	Revised Proposition 65 warning

OPERATION

Raising and Lowering the Table

Loosen the handles on each side of the table located on the posts by twisting counter clockwise. Raise or lower the table to the desired height. Tighten the knob on both sides. (Figure 1) To move the knob out of the way, press the button while twisting the knob and release in desired position.

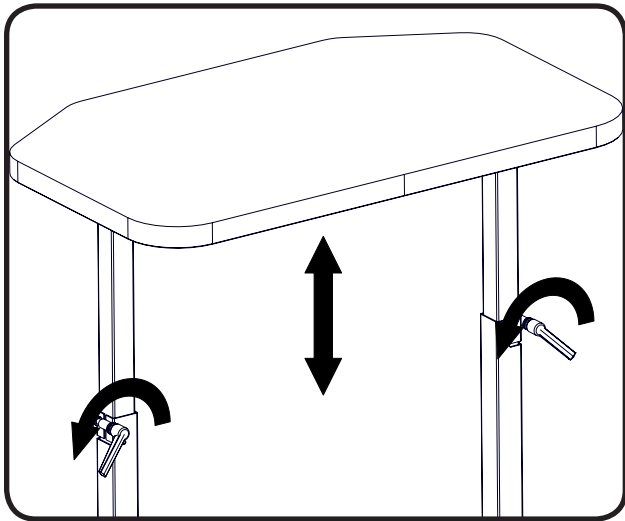


Figure 1

Locking and Unlocking Casters

To lock the casters, press down on the lever on each caster. To unlock the caster, lift up on the lever on each caster. (Figure 2)

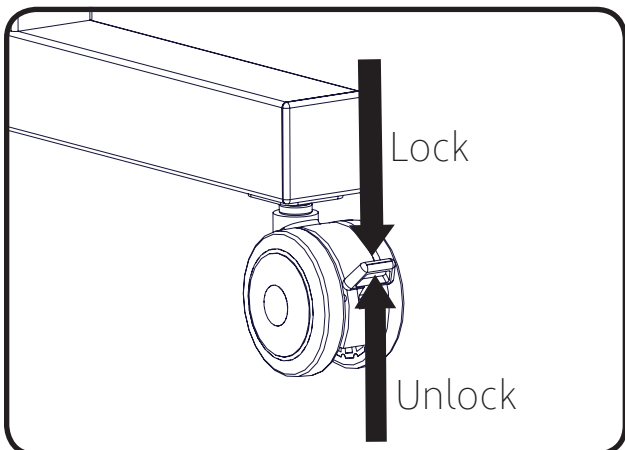


Figure 2

Positioning the Table

The table rolls over the foot/seat of most chairs. (Figure 3). However, the OSIT table does not fit over any chair with a "Low-Boy" Mobile Base. On a 440 Mobile Stretcher Bed, the OSIT casters and the bed casters should be parallel to each other. Unlock one side of the 440 Stretcher bed and push the OSIT Table over the chair. (Figure 4)

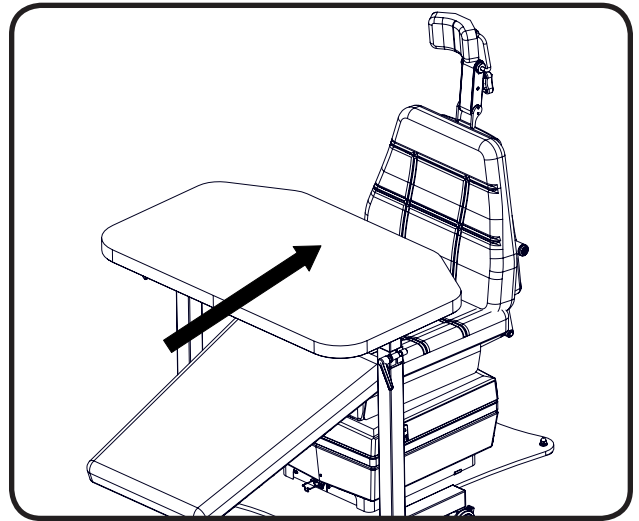


Figure 3

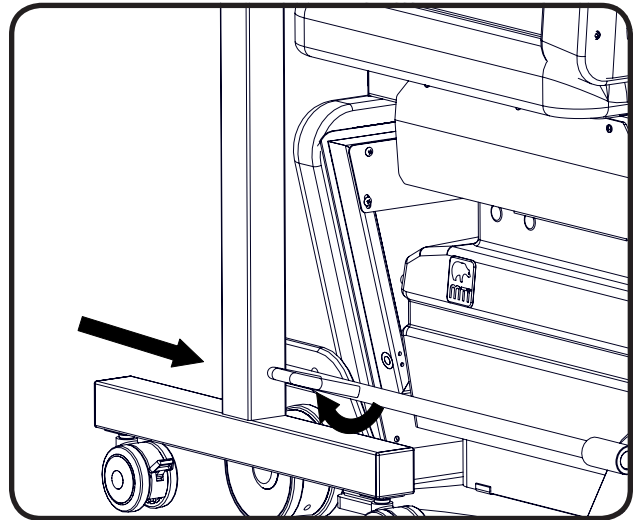
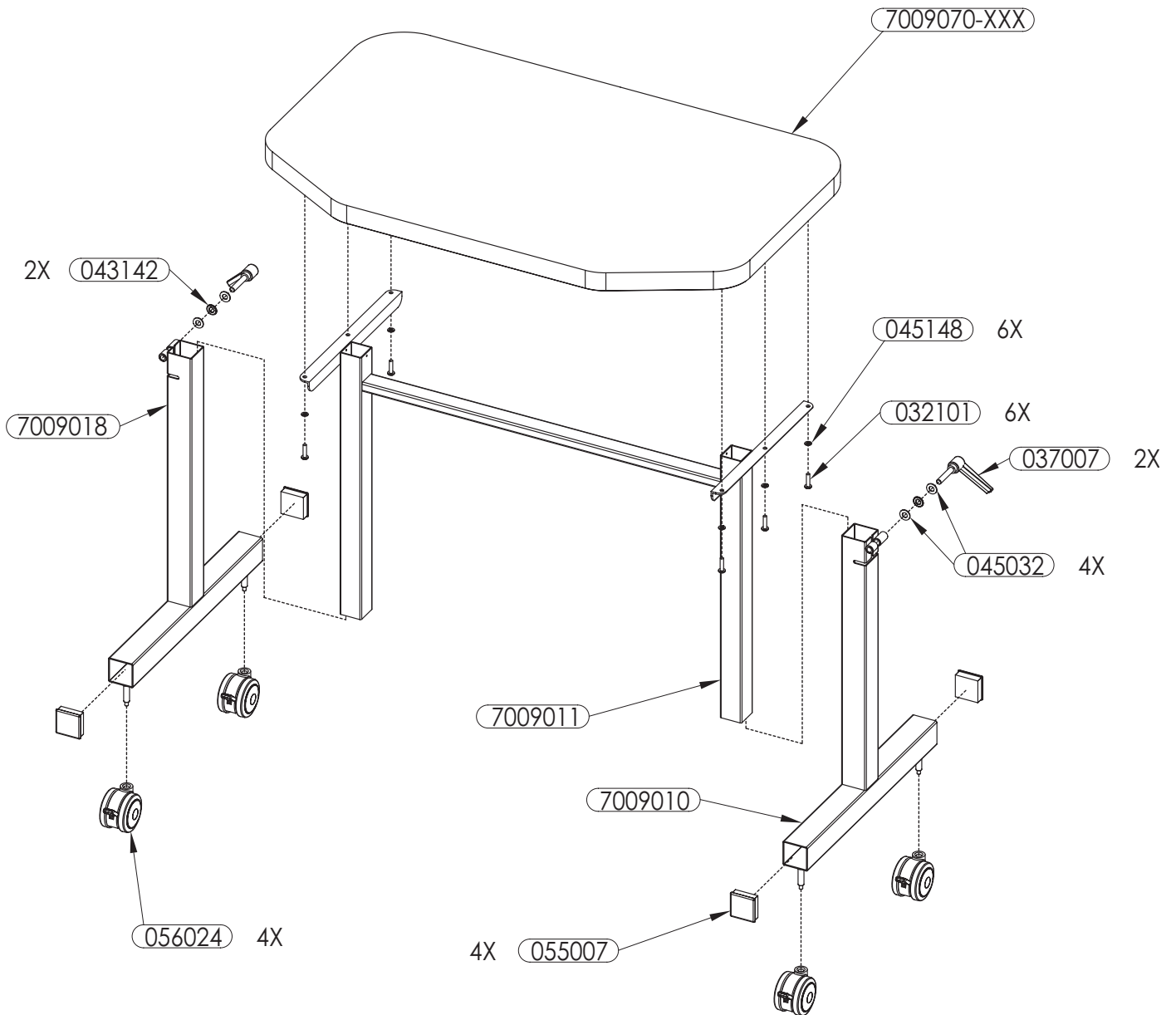


Figure 4

EXPLODED VIEWS

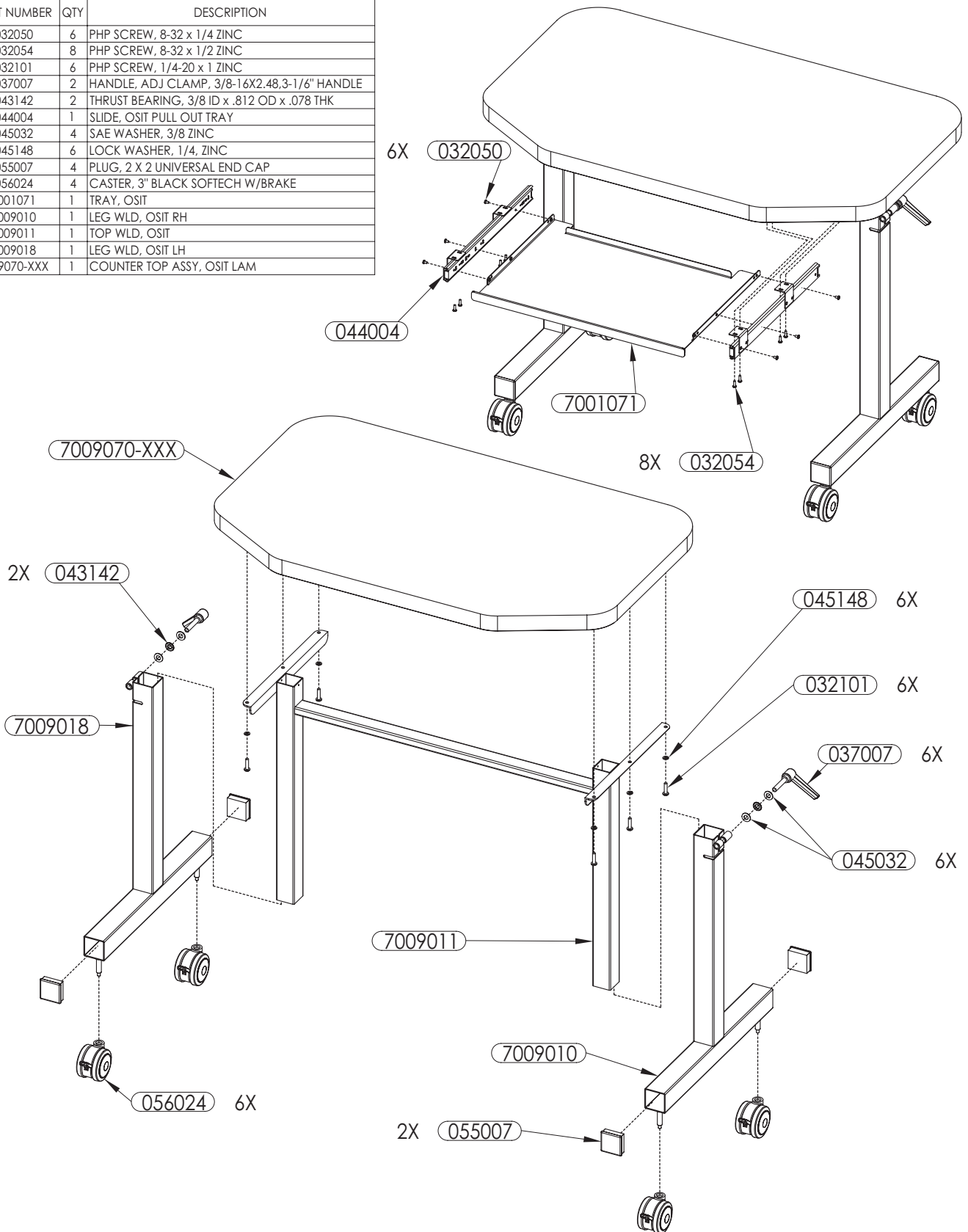
700010-XXX OSIT-1000 INSTRUMENT TABLE W/O TRAY, LAMINATE TOP

PART NUMBER	QTY	DESCRIPTION
032101	6	PHP SCREW, 1/4-20 x 1 ZINC
037007	2	HANDLE, ADJ CLAMP, 3/8-16X2.48,3-1/6" HANDLE
043142	2	THRUST BEARING, 3/8 ID x .812 OD x .078 THK
045032	4	SAE WASHER, 3/8 ZINC
045148	6	LOCK WASHER, 1/4, ZINC
055007	4	PLUG, 2 X 2 UNIVERSAL END CAP
056024	4	CASTER, 3" BLACK SOFTECH W/BRAKE
7009010	1	LEG WLD, OSIT RH
7009011	1	TOP WLD, OSIT
7009018	1	LEG WLD, OSIT LH
7009070-XXX	1	COUNTER TOP ASSY, OSIT LAM



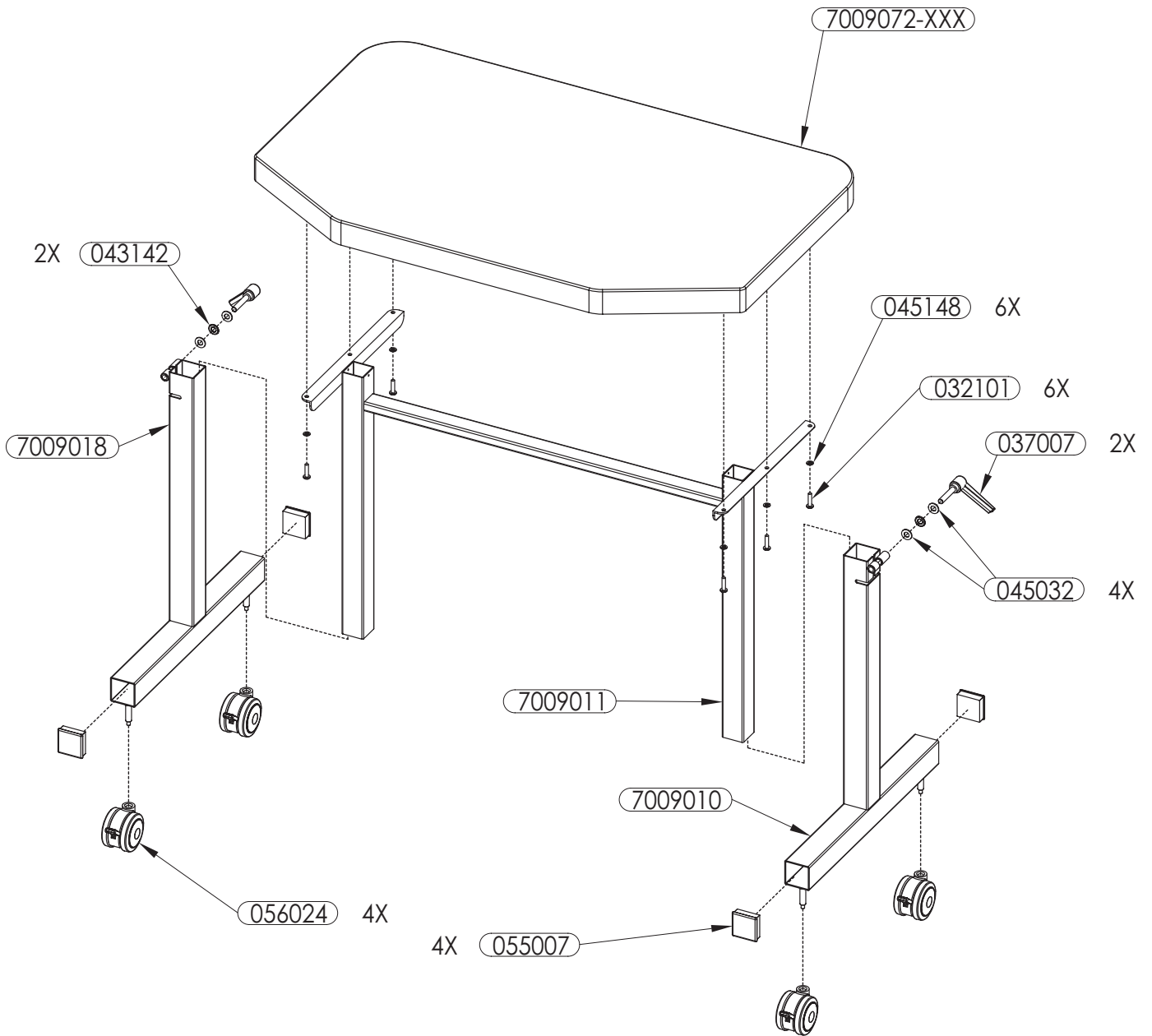
7000011-XXX OSIT-1001 INSTRUMENT TABLE W/TRAY, LAMINATE TOP

PART NUMBER	QTY	DESCRIPTION
032050	6	PHP SCREW, 8-32 x 1/4 ZINC
032054	8	PHP SCREW, 8-32 x 1/2 ZINC
032101	6	PHP SCREW, 1/4-20 x 1 ZINC
037007	2	HANDLE, ADJ CLAMP, 3/8-16X2.48,3-1/6" HANDLE
043142	2	THRUST BEARING, 3/8 ID x .812 OD x .078 THK
044004	1	SLIDE, OSIT PULL OUT TRAY
045032	4	SAE WASHER, 3/8 ZINC
045148	6	LOCK WASHER, 1/4, ZINC
055007	4	PLUG, 2 X 2 UNIVERSAL END CAP
056024	4	CASTER, 3" BLACK SOFTECH W/BRAKE
7001071	1	TRAY, OSIT
7009010	1	LEG WLD, OSIT RH
7009011	1	TOP WLD, OSIT
7009018	1	LEG WLD, OSIT LH
7009070-XXX	1	COUNTER TOP ASSY, OSIT LAM



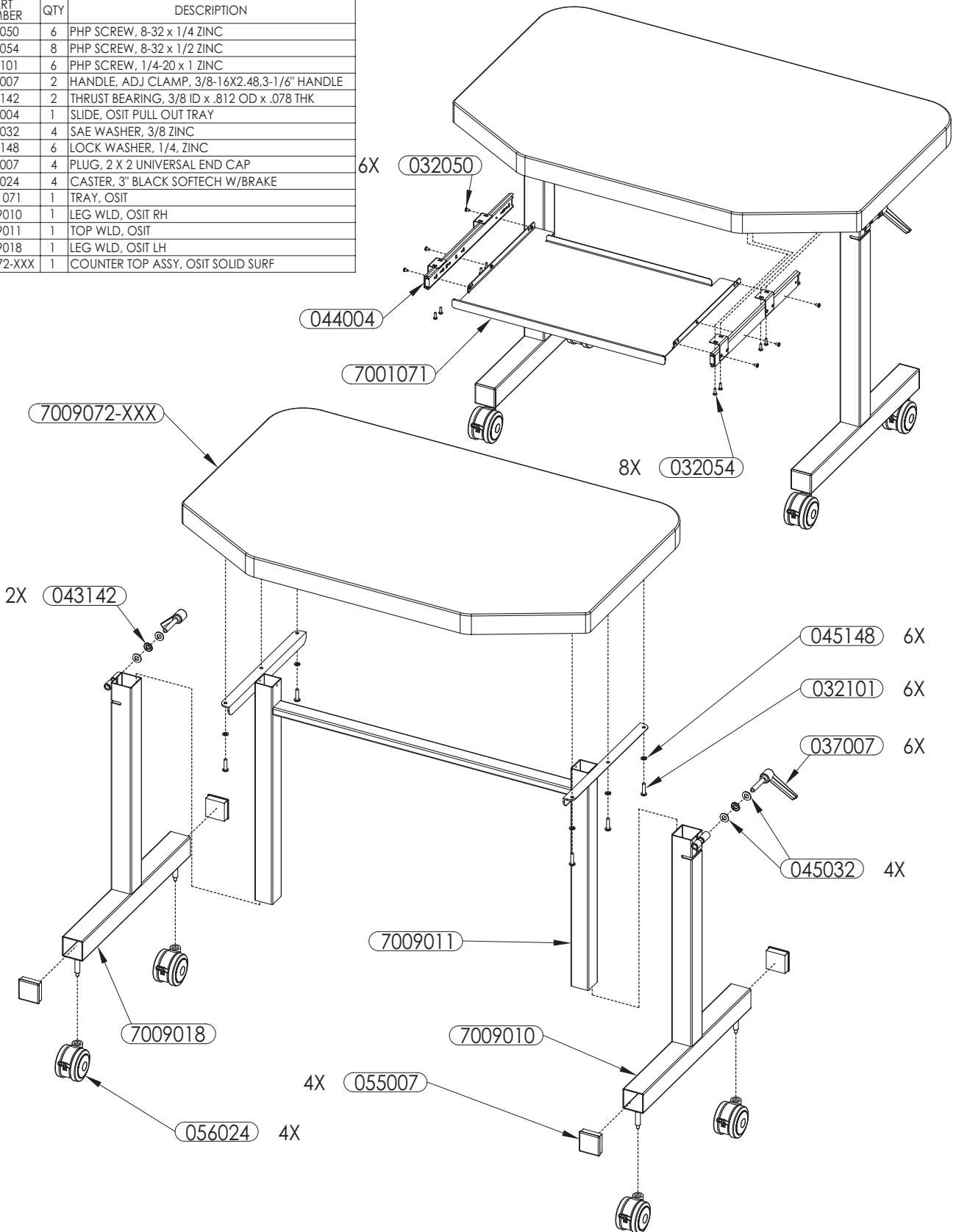
700066-XXX OSIT-2000 INSTRUMENT TABLE W/O TRAY, SOLID SURFACE

PART NUMBER	QTY	DESCRIPTION
032101	6	PHP SCREW, 1/4-20 x 1 ZINC
037007	2	HANDLE, ADJ CLAMP, 3/8-16X2.48,3-1/6" HANDLE
043142	2	THRUST BEARING, 3/8 ID x .812 OD x .078 THK
045032	4	SAE WASHER, 3/8 ZINC
045148	6	LOCK WASHER, 1/4, ZINC
055007	4	PLUG, 2 X 2 UNIVERSAL END CAP
056024	4	CASTER, 3" BLACK SOFTECH W/BRAKE
7009010	1	LEG WLD, OSIT RH
7009011	1	TOP WLD, OSIT
7009018	1	LEG WLD, OSIT LH
7009072-XXX	1	COUNTER TOP ASSY, OSIT SOLID SURF



700067-XXX OSIT-2001 INSTRUMENT TABLE W/TRAY, SOLID SURFACE TOP

PART NUMBER	QTY	DESCRIPTION
032050	6	PHP SCREW, 8-32 x 1/4 ZINC
032054	8	PHP SCREW, 8-32 x 1/2 ZINC
032101	6	PHP SCREW, 1/4-20 x 1 ZINC
037007	2	HANDLE, ADJ CLAMP, 3/8-16X2.48,3-1/6" HANDLE
043142	2	THRUST BEARING, 3/8 ID x .812 OD x .078 THK
044004	1	SLIDE, OSIT PULL OUT TRAY
045032	4	SAE WASHER, 3/8 ZINC
045148	6	LOCK WASHER, 1/4, ZINC
055007	4	PLUG, 2 X 2 UNIVERSAL END CAP
056024	4	CASTER, 3" BLACK SOFTECH W/BRAKE
7001071	1	TRAY, OSIT
7009010	1	LEG WLD, OSIT RH
7009011	1	TOP WLD, OSIT
7009018	1	LEG WLD, OSIT LH
7009072-XXX	1	COUNTER TOP ASSY, OSIT SOLID SURF



SPECIFICATIONS

DESCRIPTION	SPECIFICATION			
	OSIT 1000	OSIT 1001	OSIT 2000	OSIT 2001
Cabinet Size/Type:				
Overall Height (Counter-top to floor)	30.5" (77.5cm) - 48.0" (121.9 cm)		31.0" (78.7cm) - 48.5" (123.2 cm)	
Overall Width	39.0" (99.1 cm)		40" (101.6 cm)	
Overall Depth	23.75" (60.3 cm)		24.75" (62.9 cm)	
Shipping Weight (product weight will vary)	85 lbs. (39 kg)	92 lbs (42 kg)	108 lbs. (49 kg)	114 lbs (52 kg)

LIST OF ACCESSORIES

DESCRIPTION	USE	RESTRICTIONS
IV Rod and Mount	Provides an IV Rod that mounts to a leg of the table.	
Counter Top Edge Guard	Provides a raised trim to prevent instruments from rolling off the edge of the table.	
High Volume Evacuation Tip Holder	Provides a holder for up to 3 instrument tips to hang on the side of the table.	
Special Color Counter top	Customer chosen counter top color	Contact MTI for quote on availability and additional costs.

WARNING/AVERTISSEMENT

No modification of this equipment is allowed.

Aucune modification de cet équipement est autorisé.

WARNING/AVERTISSEMENT

Assure equipment, patient, and other objects are in safe condition before operating the equipment.

Assurer l'appareil, patient, et d'autre objets sont dans un état sûr avant d'utiliser l'appareil.

CAUTION/PRÉCAUTION

Acidic or abrasive cleaners can damage laminate surfaces. Do not use them.

Nettoyants abrasifs ou acides peuvent endommager le stratifié. Ne les utilisez pas.

CAUTION/PRÉCAUTION

Do not leave any moisture on any part of the table for an extended period of time.

Ne laissez pas l'humidité sur toute partie de la table pour une période de temps prolongée.

CAUTION/PRÉCAUTION

When working with betadine, neosynephrine, hydrogen peroxide, silver nitrate, or any other type of harsh chemicals, do not allow it to get on the cabinet surface. If it does get on the cabinet, wipe it up immediately or staining will occur.

Lorsque vous travaillez avec de la bétadine, néosynéphrine, le peroxyde d'hydrogène, le nitrate d'argent, ou tout autre type de produits chimiques agressifs, ne lui permet pas de monter sur la surface du meuble. Si elle ne obtient sur le meuble essuyez-le immédiatement ou coloration se produira.

WARNING/AVERTISSEMENT

This product can expose you to chemicals including wood dust, which is known to the State of California to cause cancer. For more information go to www.P65Warnings.ca.gov and see www.mti.net/faqs for details on California Proposition 65.

Ce produit peut vous exposer à des agents chimiques, y compris la poussière de bois, identifiés par l'État de Californie comme pouvant causer le cancer. Pour de plus d'informations, prière de consulter www.P65Warnings.ca.gov et voir www.mti.net/faqs pour les détails sur le Proposition de Californie 65.

Cleaning and Disinfection

See "MTI Cleaning Solution Recommendation Letter" for more details on disinfecting solutions which have been tested on MTI's products. It is available for download at <http://www.mti.net/downloads.aspx> in the Product Support Bulletins folder, found under the Resources tab on our website. In the U.S. & Canada, call (888) 520-4998, or International, call (801) 875-4998 to request a copy.

Painted and Plastic Surfaces

All painted metal parts have been electrostatically painted and the paint is baked on for durability. Weekly, those surfaces should be wiped down with a quality grade cleaner and a soft cloth or a damp cloth with mild soap.

Plastic Laminate

A quality grade of plastic/vinyl cleaner like SD-20 or a mild detergent in warm water with a soft cloth should be used to clean all the laminate surfaces. For a disinfectant, use a combination of 10% household bleach and 90% water. Make sure to dry with a soft cloth.

Calls for Service

(888) 520-4998 | International (801) 875-4998
customer.service@mti.net | www.mti.net

LIMITED WARRANTY

Medical Technology Industries, Inc. (hereinafter referred to as MTI), shall repair or replace products of its manufacture, which prove to be defective in material and/or workmanship for a period of twelve (12) months from the date of shipment to the customer (the "Warranty Period"). MTI will, at its option, provide parts to the customer or repair the defective part at MTI's factory or authorized repair facility. Except as it may otherwise specifically agree in writing, MTI shall not be liable for transportation or labor charges for repairs or adjustments or other work done on any of its products by MTI's authorized dealers or service organizations.

Customer shall notify MTI of any alleged claim or defect within fourteen (14) days from the date customer discovers, or upon reasonable inspection should have discovered, such alleged claim or defect (but in any event before the expiration of the Warranty Period). All repair parts are warranted for Ninety (90) calendar days from the date of shipment to the customer. Warranty is non-cumulative.

This warranty does not apply to any part or product which upon examination by MTI or its authorized agents indicates the product has been repaired or altered in any way by persons other than MTI or its authorized agents, has been misused, abused or used in a manner contrary to any instructions issued by MTI. Any parts or products claimed under this warranty must be properly packaged by customer and returned to MTI's factory with no liability to MTI for the parts, products or transportation charges thereon.

In no event, shall MTI have any liability for consequential, indirect, incidental, special, exemplary, punitive or enhanced damages, lost profits or diminution in value arising out of or relating to a product defect or the repair or replacement of any products manufactured or sold by it.

THE FOREGOING LIMITED WARRANTY IS MADE IN LIEU OF ALL WARRANTIES EXPRESSED OR IMPLIED, AND MTI MAKES NO OTHER WARRANTY WHATSOEVER WITH RESPECT TO THE PRODUCTS INCLUDING BUT NOT LIMITED TO, ANY IMPLIED WARRANTY OR MERCHANTABILITY OR FITNESS FOR A PARTICULAR PURPOSE.

3655 W Ninigret Drive, Salt Lake City, Utah, 84104-6572
 (800) 924-4655 • (801) 875-4999 • Fax (801) 952-0548

www.mti.net



Strength in patient care.™

© MTI, Inc. All rights reserved.
 MTI reserves the right to make any
 product changes without notice.

073157 Rev B