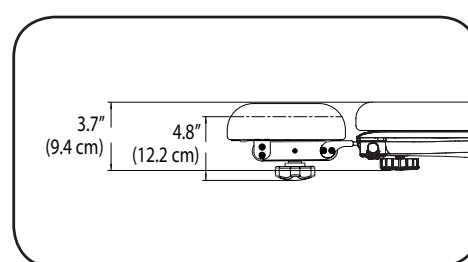
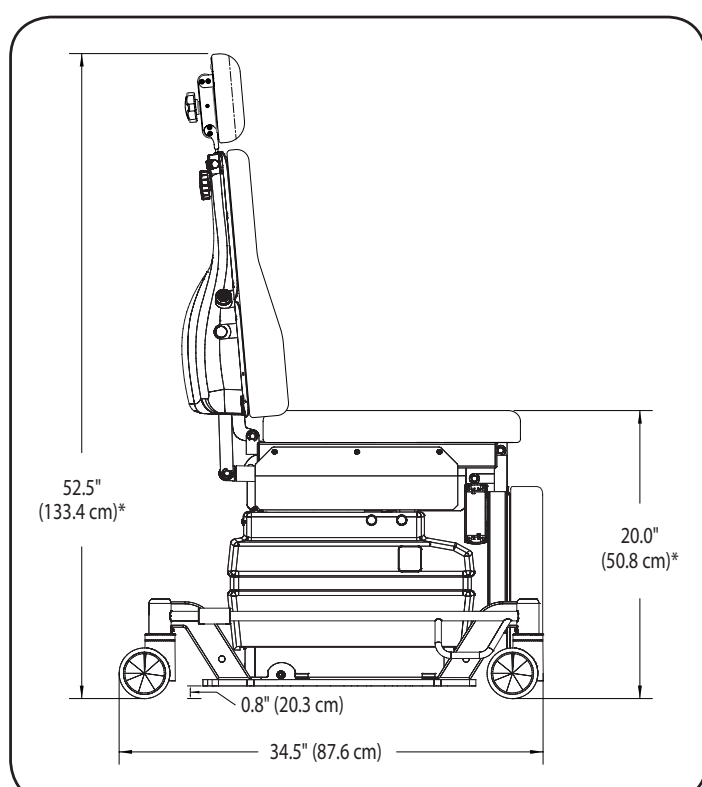
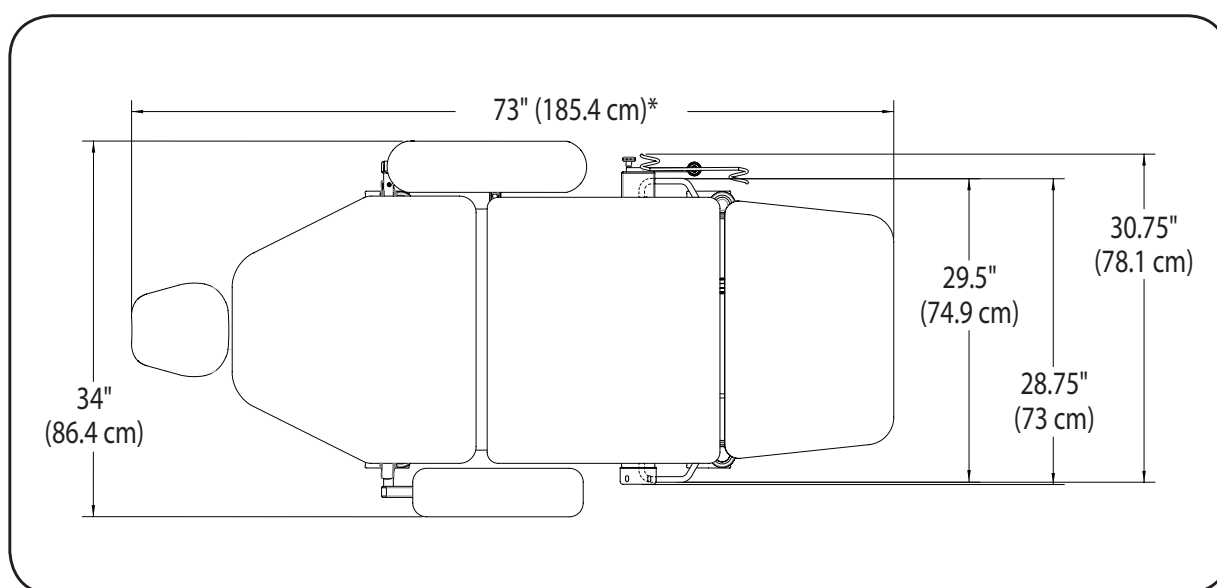
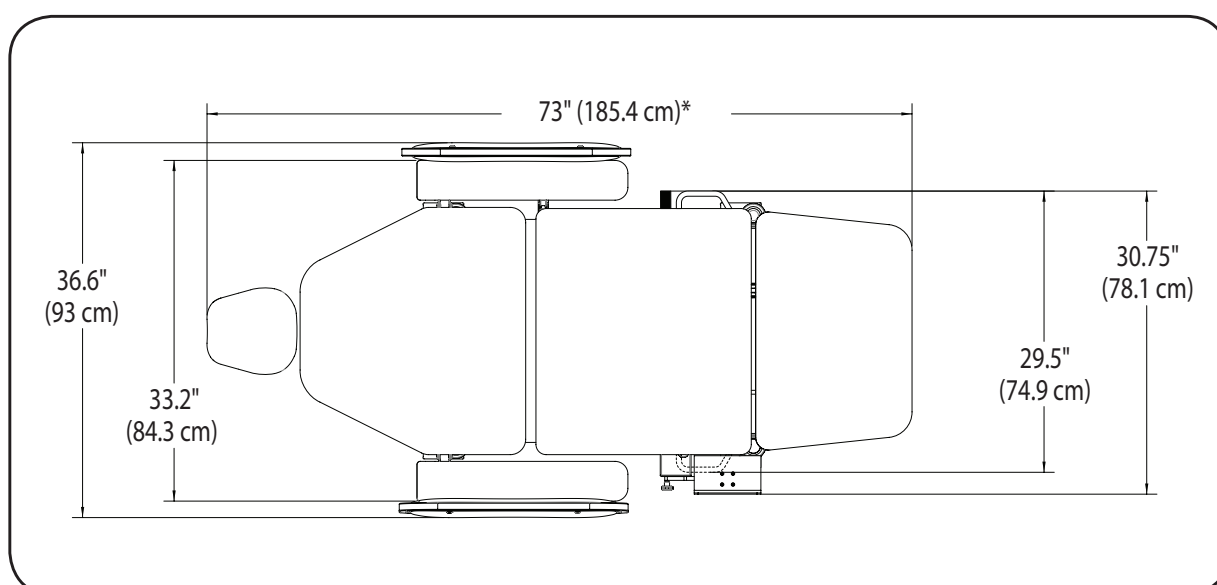


440* Specifications

Minimum Seat Height:	Low Model 20" (50.8 cm) High Model 22" (55.9 cm)
Maximum Vertical Elevation:	Low Model 11.5" (29.2 cm) High Model 16" (40.6 cm)
Maximum Lifting Capacity:	650 lbs (295 kgs)
Section Dimensions	
Tapered Back Section:	24" tapering to 12" wide x 22" long (61 cm tapering to 30.5 cm wide x 55.9 cm long)
Seat Section:	24" wide x 20.5" deep (61 cm wide x 52 cm deep)
Foot Section:	24" tapering to 21" wide x 17" deep (61 cm tapering to 53.3 cm wide x 43.2 cm deep)
Maximum Trendelenburg:	30°
Overall Length:	Low model w/o headrest extension 71" (180.3 cm) Low model w/headrest extension 77" (195.6 cm) High model w/o headrest extension 73" (185.4 cm) High model w/headrest extension 79" (200.7 cm)
Overall Width at Base with Casters Unlocked:	29.5" (74.9 cm)
Overall Width at Base with Casters Locked:	27.25" (69.2 cm)
Overall Width with:	
Slide Back Arms:	33.2" (84.3 cm)
Swing Up/Down Bed Rails w/o Slide Back Arms:	33" (83.8 cm)
Swing Up/Down Bed Rails with Slide Back Arms:	36.6" (93 cm)
Electrical Input/Power Consumption:	115/60, 5.4 amps 230/50, 2.7 amps
Weight†:	305 lbs (138 kg)
Shipping Weight†:	397 lbs (180 kg)
Shipping Size†:	80" x 32" x 34" (203 cm x 81 cm x 86 cm)



*Listed to the Safety Standards for Medical Electrical Equipment UL 60601-1, CSA-C22.2 60601-1, and IEC 60601-1.

†Will vary depending on options chosen.

